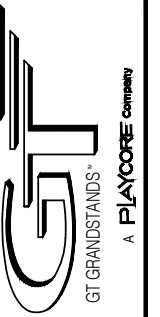


ALUMINUM 5 ROW x 15'-0" - STANDARD SERIES

MODEL
GS-0515ADC-EA-HC



2810 Sydney Road
 Plant City, Florida 33566
 Phone: 813-305-1415
 Fax: 813-305-1419
 www.gtgrandstands.com



COVER SHEET
 5 ROW BLEACHER
 WITH AISLE & HANDICAP SPACE

GS-0515ADC-EA-HC
 (RIGHT SIDE AISLE)

- CS.1 - COVER SHEET
- SP.1 - SEATING PLAN
- ID.1 - MASTER FRAME I.D.
- FP.1 - FOUNDATION PLAN
- GS.1 - GROUND SILL/AUGER ANCHOR PLAN
- AP.1 - ANCHORING PLAN
- BA.1 - BLEACHER ASSEMBLY
- PF.1 - PLANK & FRAMING PLAN
- VA.1 - VERTICAL AISLE ASSEMBLY
- WC.1 - WHEELCHAIR ACCESS INSERT
- GR.1 - GUARDRAIL ASSEMBLY
- DS.1 - DETAIL SHEET

DRAWN BY MME
CHECKED BY
DATE 12/01/2016
SCALE
JOB NO. GS-0515ADC-EA-HC
DWG NO. CS.1



2810 Sydney Road
 Plant City, Florida 33566
 Phone: 813-305-1415
 Fax: 813-305-1419
 www.gtgrandstands.com

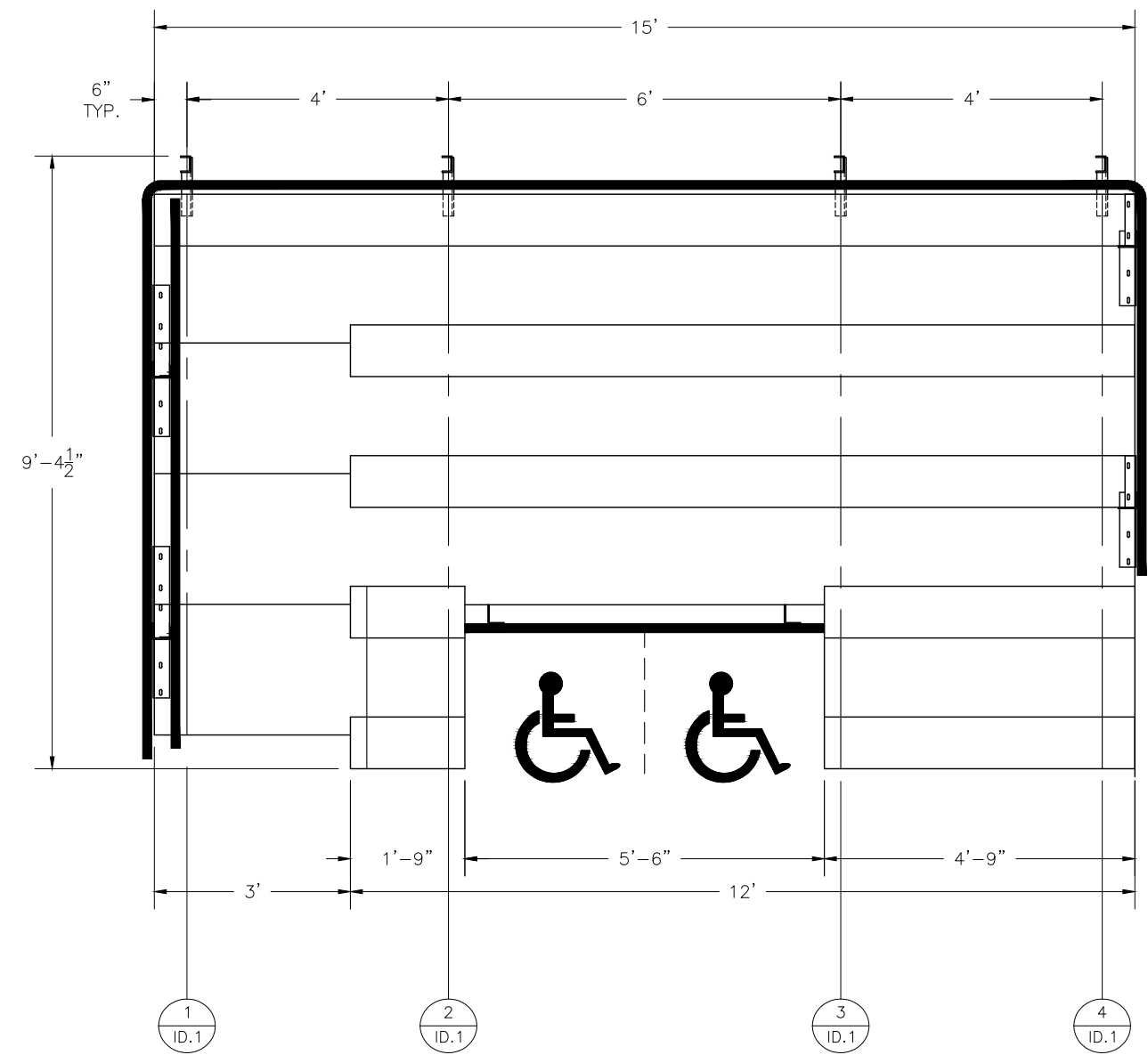


SEATING PLAN
 5 ROW BLEACHER
 WITH AISLE & HANDICAP SPACE

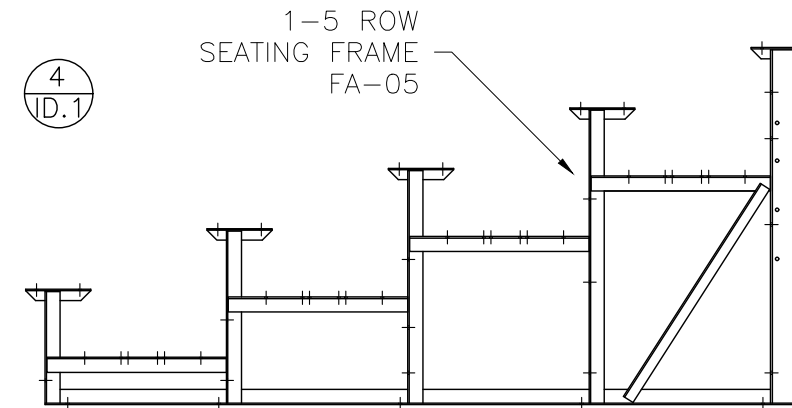
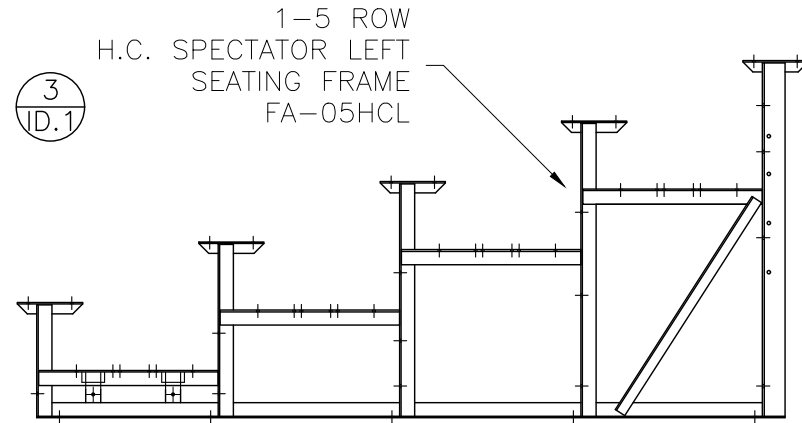
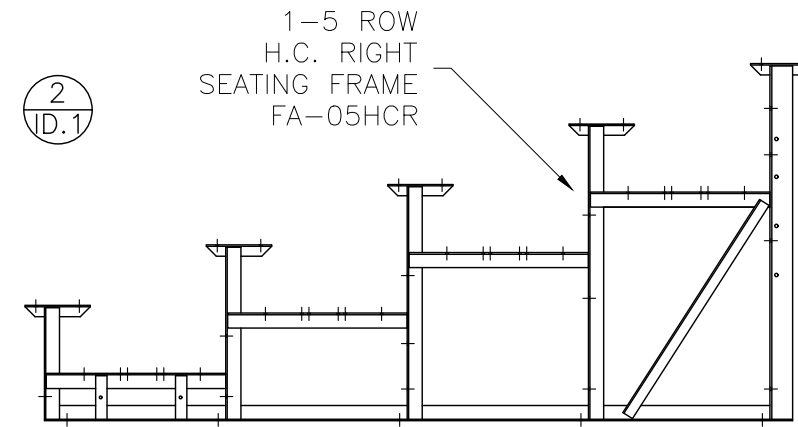
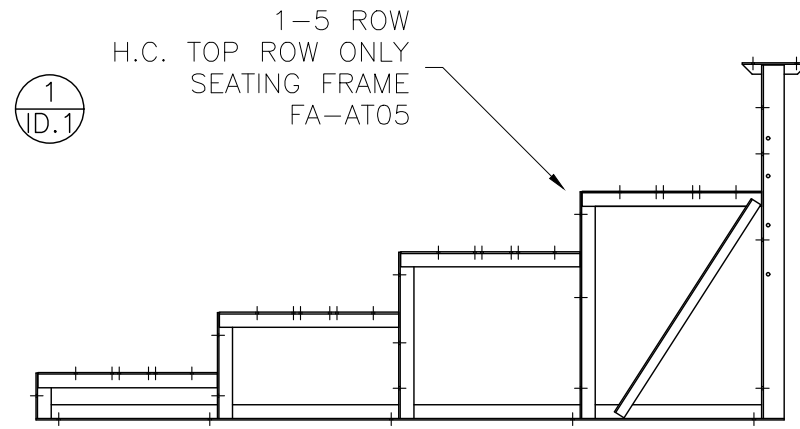
GS-0515ADC-EA-HC
 (RIGHT SIDE AISLE)

DRAWN BY
 MME
 CHECKED BY
 DATE
 12/01/2016
 SCALE
 JOB NO.
 GS-0515ADC-EA-HC

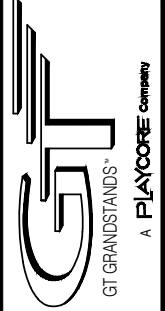
DWG NO.
 SP.1



SECTION LENGTH	GROSS SEATS	ACTUAL SEATS	NO. OF ROWS	NET SEATS
15	10.00	10.00	1	10
12	8.00	8.00	2	16
1.75	1.17	1.00	2	2
4.75	3.17	3.00	2	6
		NET SEATS		34
		WHEELCHAIR SPACES		2
		TOTAL NET SEATING CAPACITY		36
		(BASED ON 18" PER SEAT)		



2810 Sydney Road
Plant City, Florida 33566
Phone: 813-305-1415
Fax: 813-305-1419
www.gtgrandstands.com

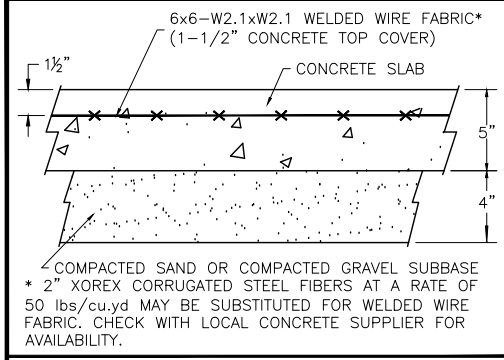


MASTER FRAME I.D.
5 ROW BLEACHER
WITH AISLE & HANDICAP SPACE

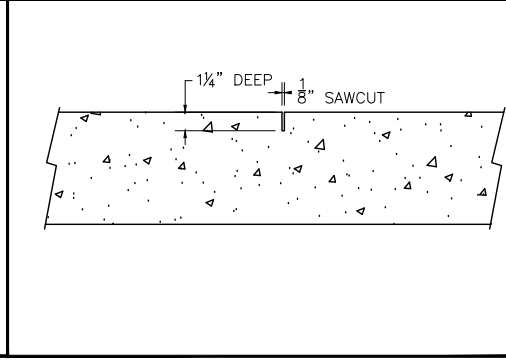
GS-0515ADC-EA-HC
(RIGHT SIDE AISLE)

DRAWN BY
MME
CHECKED BY
DATE
12/01/2016
SCALE
JOB NO.
GS-0515ADC-EA-HC
DWG NO.
ID.1

① CONCRETE SLAB SECTION



② CONTROL JOINT DETAIL



CONCRETE FOUNDATION SPECIFICATIONS SCOPE:

Foundation construction is not part of GT GRANDSTANDS, INC. (GTG) scope of work unless noted otherwise in the contract documents. The owner shall review the foundation design with the local code authorities, and coordinate with GTG.

FOUNDATION DESIGN & ANCHORS:

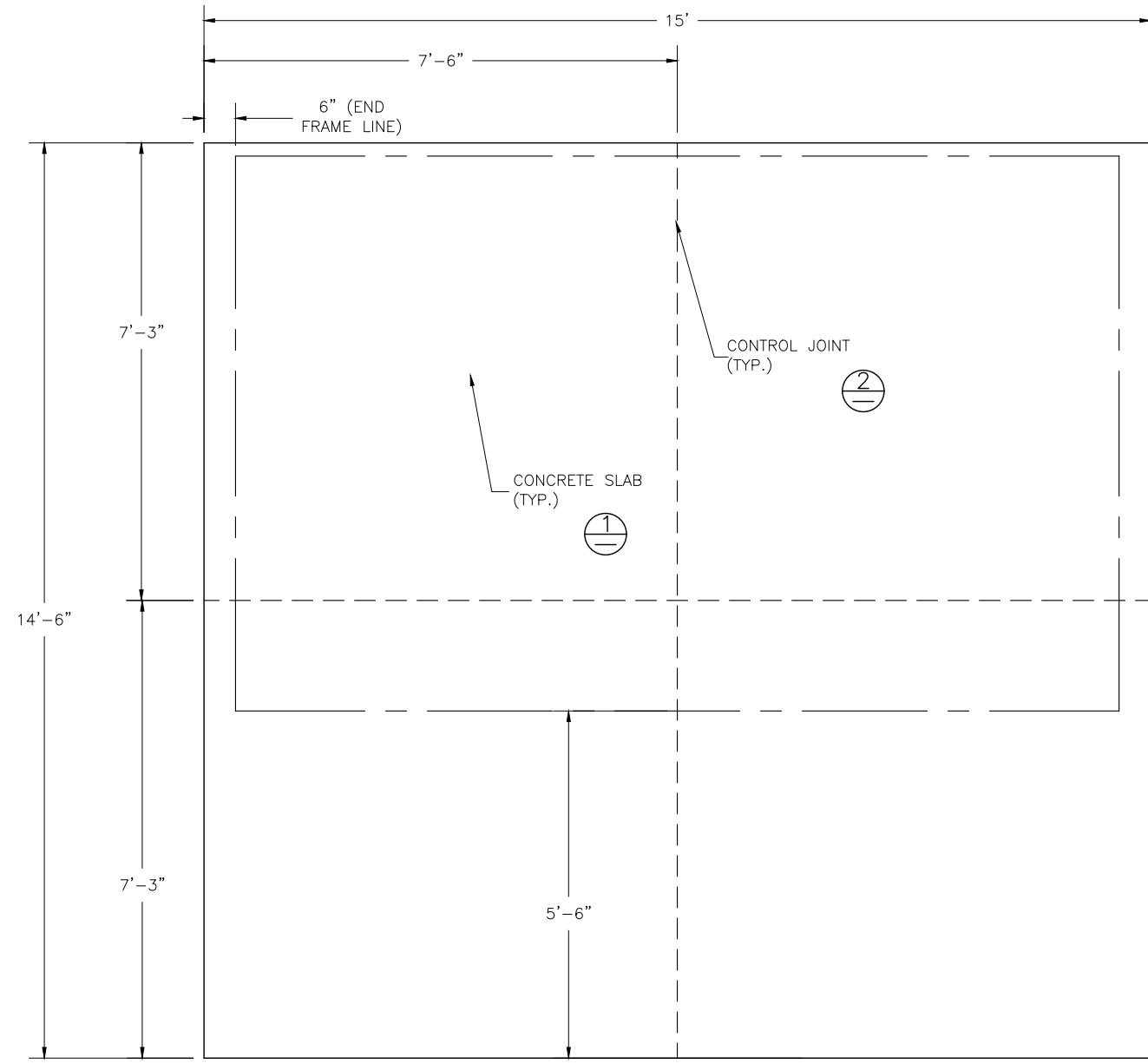
- 1) The foundation designs are based on the following:
 - a. Minimum presumed soil bearing 1000 psf.
 - b. Bleacher frame dead and live load 700 lbs./ft.
 - c. Bleacher frame wind uplift load 250 lbs./ft.
- 2) Unless otherwise noted on the drawings the bleacher frames shall be attached to the concrete with 3/8" dia. x 3" wedge type expansion anchors. The anchors shall be embedded a minimum of 2" into the concrete.

CONCRETE SPECIFICATIONS:

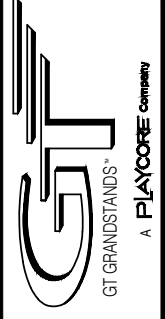
- 1) All concrete construction shall be in accordance with *ACI 318-08*.
- 2) All concrete shall have a minimum 28-day strength of $F_c=3000$ psi.
- 3) A 1/4" bituminous expansion joint material shall be placed between strip and slab foundations when adjacent to each other.
- 4) The depressions in the top of the foundations between high spots shall not exceed 5/16" below a 10-foot long straightedge. The 10-foot straightedge method used to measure foundation flatness shall be in accordance with Section of ACI 302.1R-04 "*Guide for Concrete Floor and Slab Construction*".

CONCRETE SLAB SPECIFICATIONS:

- 1) Concrete slab shall have a minimum thickness of 5" (GTG, Inc. recommends, and some areas may require 6" thickness) and placed on 4" of compacted gravel or compacted sand sub-base.
- 2) GTG, Inc. recommends that the concrete slab be reinforced with 6x6-W2.1xW2.1 welded wire fabric at 1 1/2" concrete cover from the top. In lieu of welded wire fabric, 2" XOREX by Ribbon Technology Corporation or equal corrugated steel fibers applied at a rate of 50-lbs./Cubic Yard may be used. Nylon or polypropylene fiber are not recommended.
- 3) Crack control joints shall be sawed into slab to form approximate square patterns. The maximum spacing for control joints shall not exceed 12'-6", unless shown otherwise on this drawing. The bleacher frames shall not be set on control joints. The designer shall contact GTG to coordinate joint spacing requirements with the specific bleacher design.
- 4) The slab may be sloped a maximum of 1/8 inch per foot for drainage. The maximum overall out of level slope for the slab perpendicular to the seats (front to rear) shall not exceed 2" and parallel to the seats (end to end) shall not exceed 4".



2810 Sydney Road
Plant City, Florida 33566
Phone: 813-305-1415
Fax: 813-305-1419
www.gtgrandstands.com

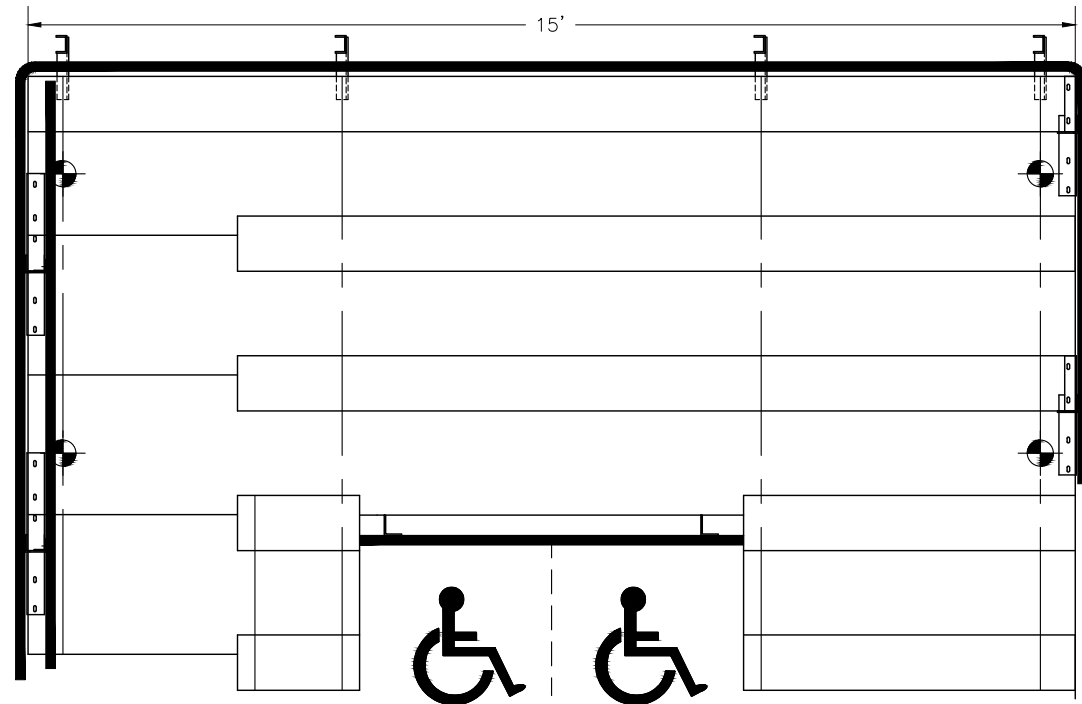


FOUNDATION PLAN
5 ROW BLEACHER
WITH AISLE & HANDICAP SPACE

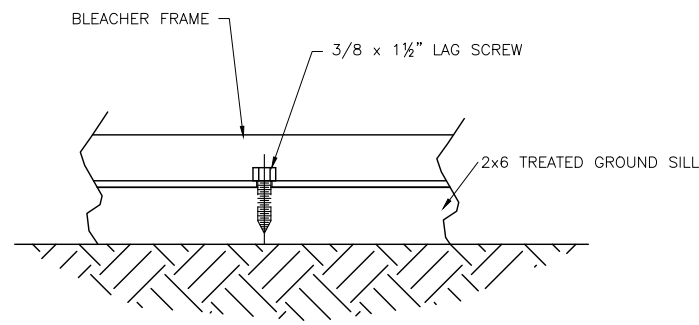
GS-0515ADC-EA-HC
(RIGHT SIDE AISLE)

DRAWN BY MME
CHECKED BY
DATE 12/01/2016
SCALE
JOB NO. GS-0515ADC-EA-HC
DWG NO. FP.1

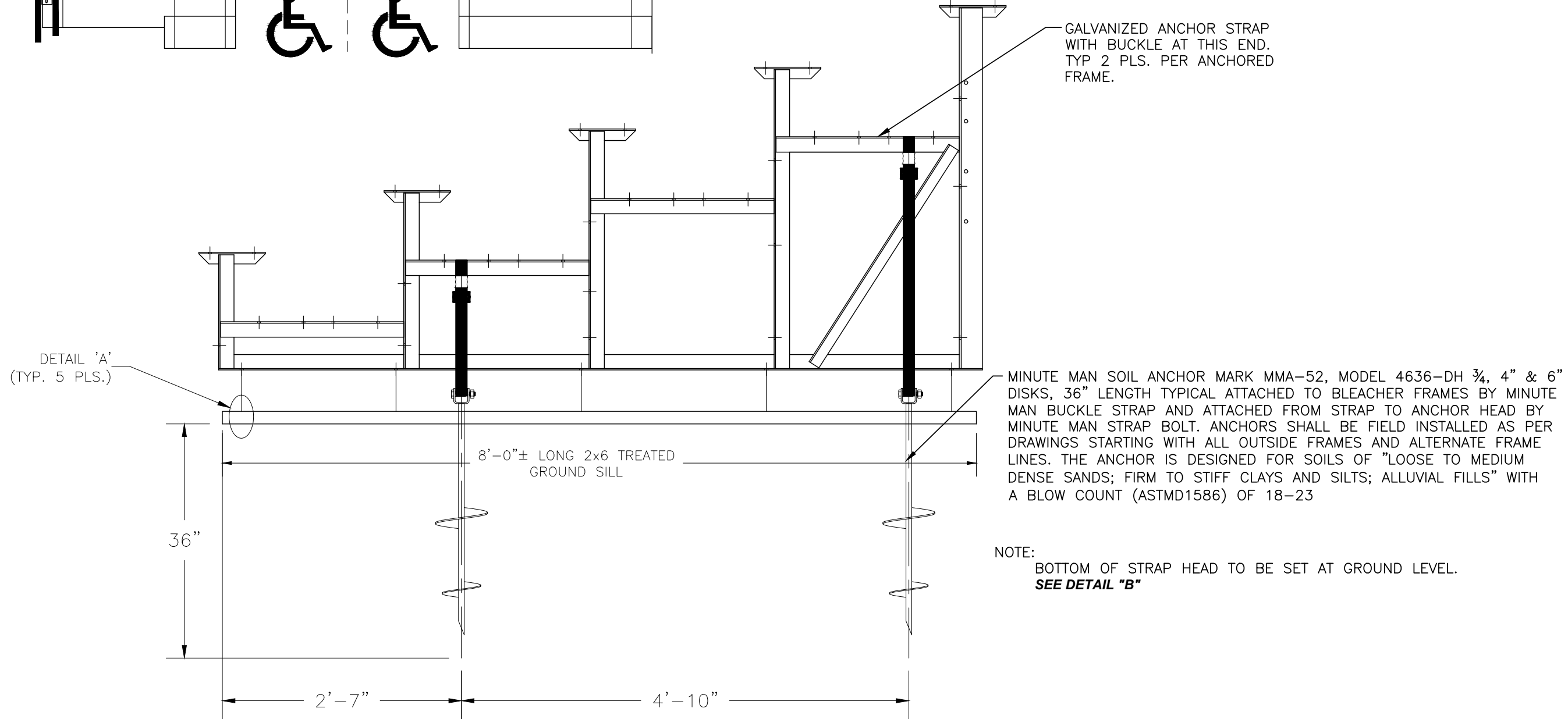
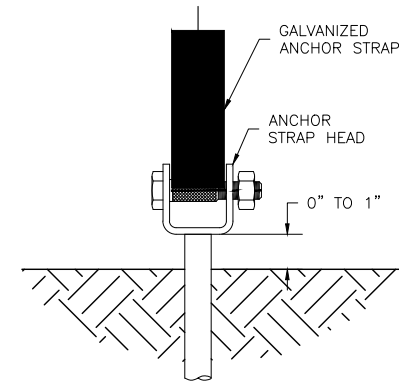
AUGER ANCHOR LOCATIONS



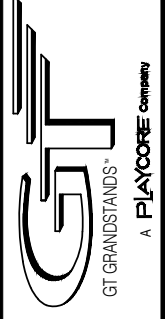
DETAIL "A" - GROUND SILL ATTACHMENT



ANCHOR HEAD DETAIL



2810 Sydney Road
Plant City, Florida 33566
Phone: 813-305-1415
Fax: 813-305-1419
www.gtgrandstands.com

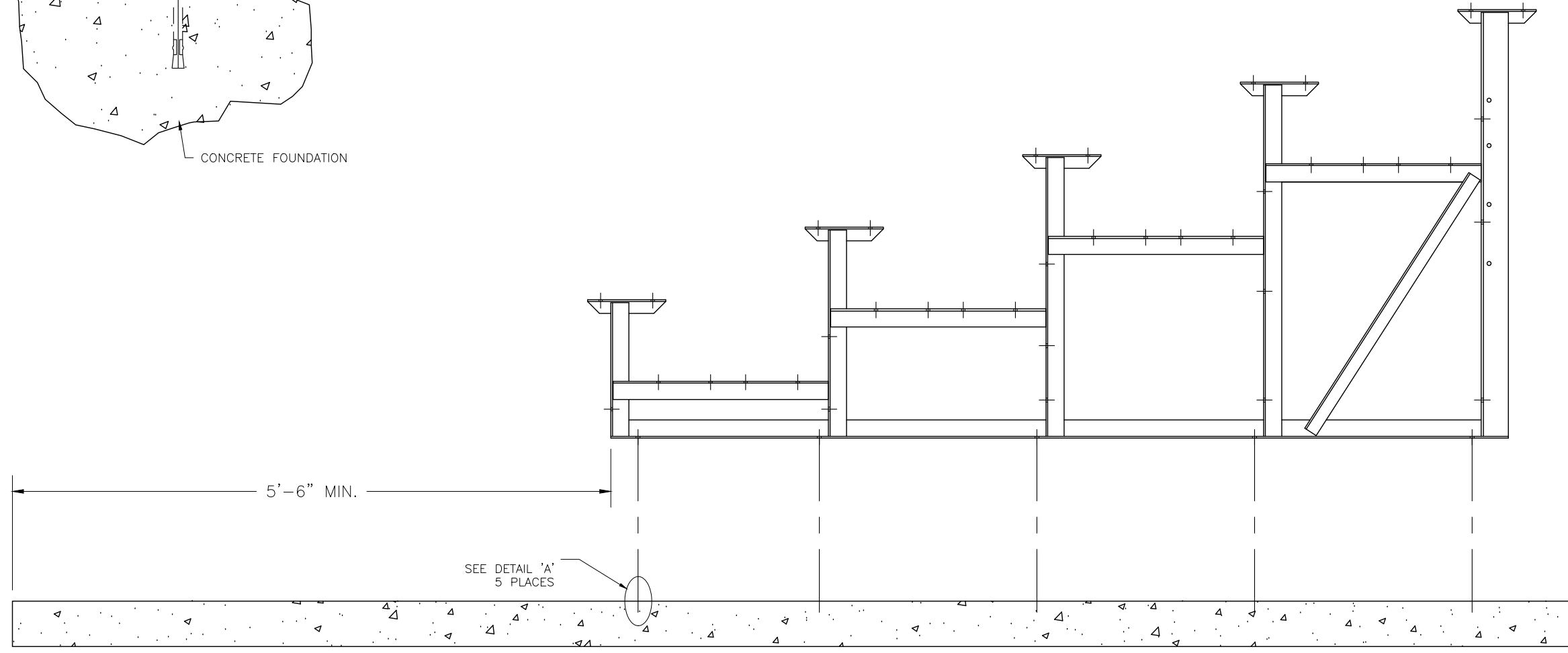
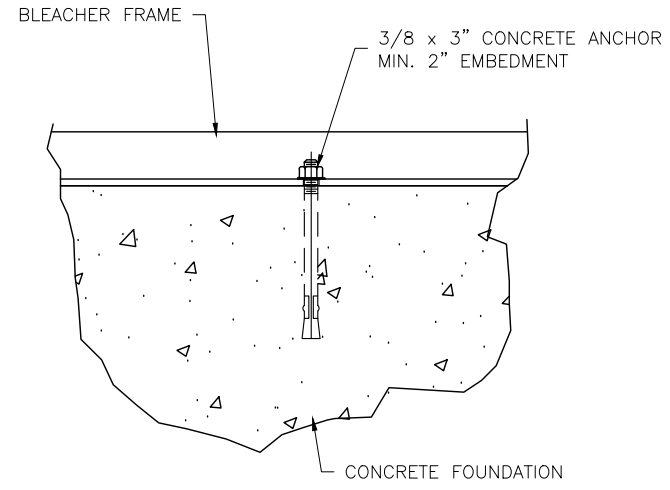


GROUND SILL/AUGER ANCHOR
5 ROW BLEACHER
WITH AISLE & HANDICAP SPACE

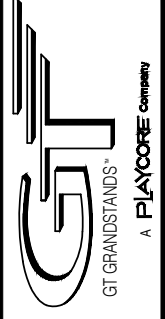
GS-0515ADC-EA-HC
(RIGHT SIDE AISLE)

DRAWN BY MME
CHECKED BY
DATE 12/01/2016
SCALE
JOB NO. GS-0515ADC-EA-HC
DWG NO. GS.1

DETAIL "A" - CONC. ANCHOR ATTACHMENT



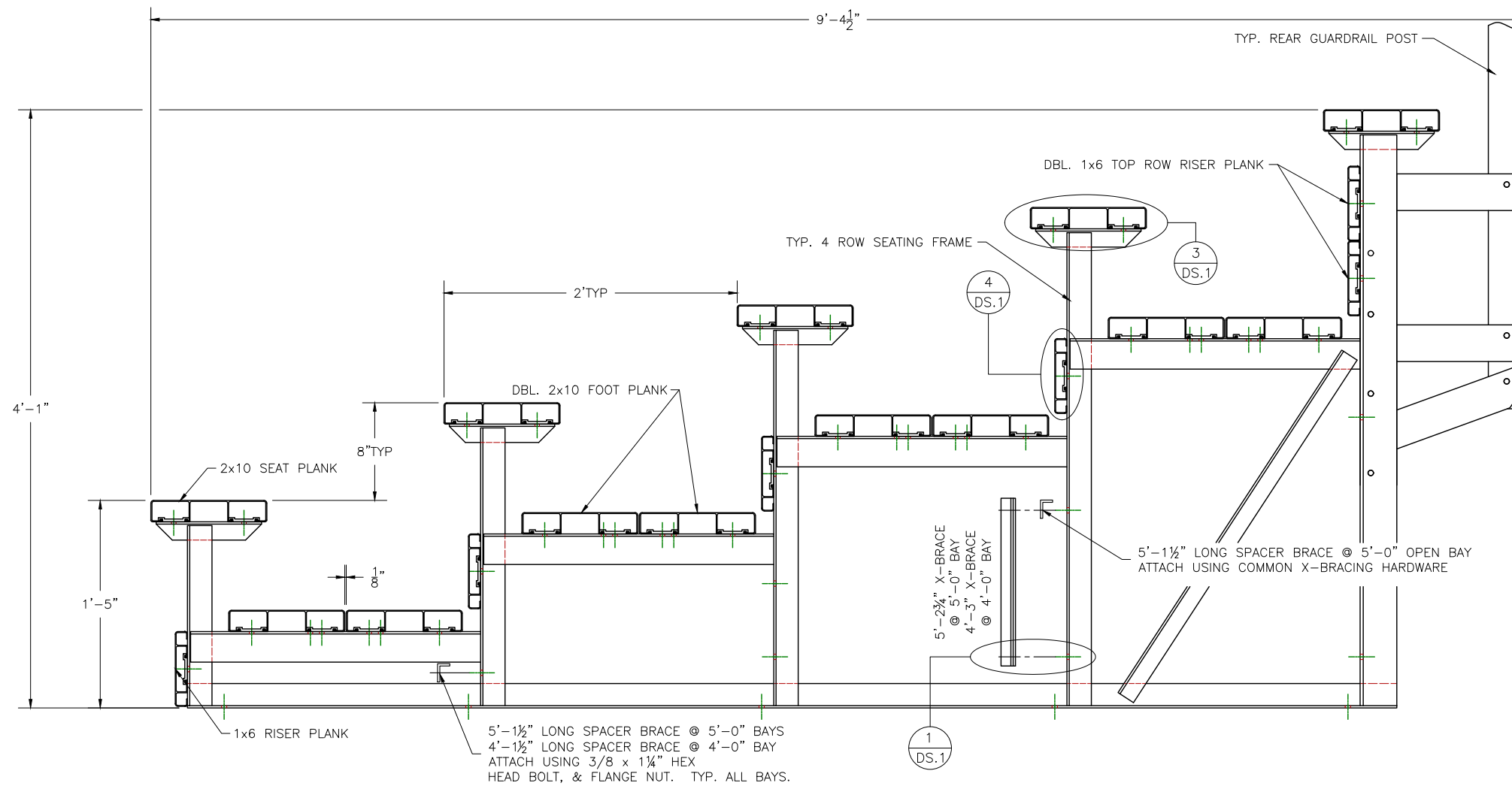
2810 Sydney Road
 Plant City, Florida 33566
 Phone: 813-305-1415
 Fax: 813-305-1419
 www.gtgrandstands.com



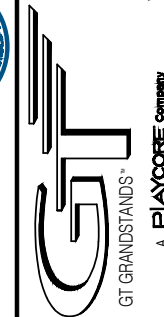
ANCHORING PLAN
 5 ROW BLEACHER
 WITH AISLE & HANDICAP SPACE

GS-0515ADC-EA-HC
 (RIGHT SIDE AISLE)

DRAWN BY MME
CHECKED BY
DATE 12/01/2016
SCALE
JOB NO. GS-0515ADC-EA-HC
DWG NO. AP.1



2810 Sydney Road
Plant City, Florida 33566
Phone: 813-305-1415
Fax: 813-305-1419
www.gtgrandstands.com

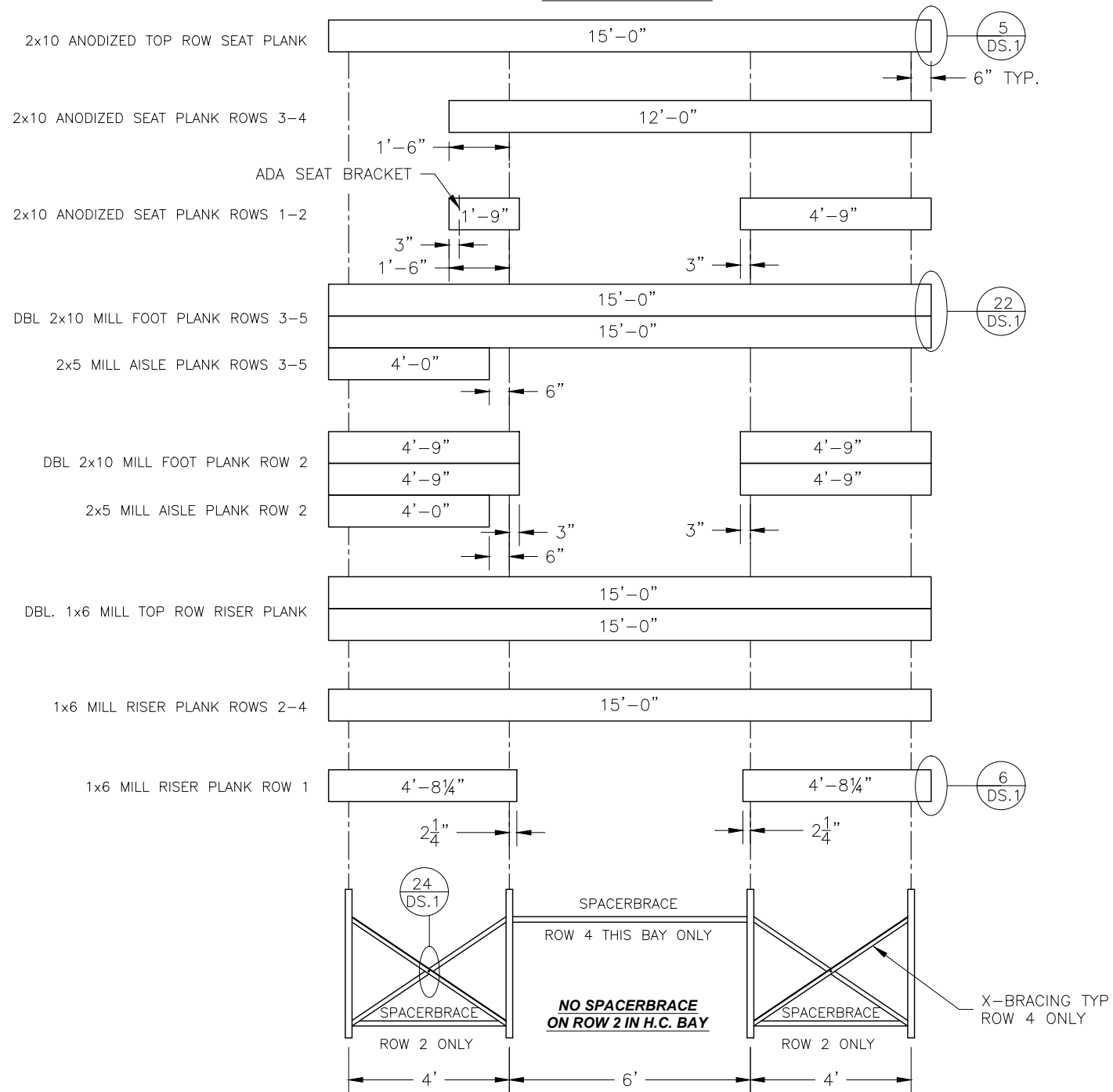


BLEACHER ASSEMBLY
5 ROW BLEACHER
WITH AISLE & HANDICAP SPACE

GS-0515ADC-EA-HC
(RIGHT SIDE AISLE)

DRAWN BY MME
CHECKED BY
DATE 12/01/2016
SCALE
JOB NO. GS-0515ADC-EA-HC
DWG NO. BA.1

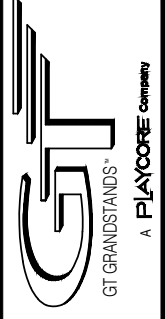
PLANK PLAN



PLEASE REFER TO PAGE DS.1 FOR DETAILS



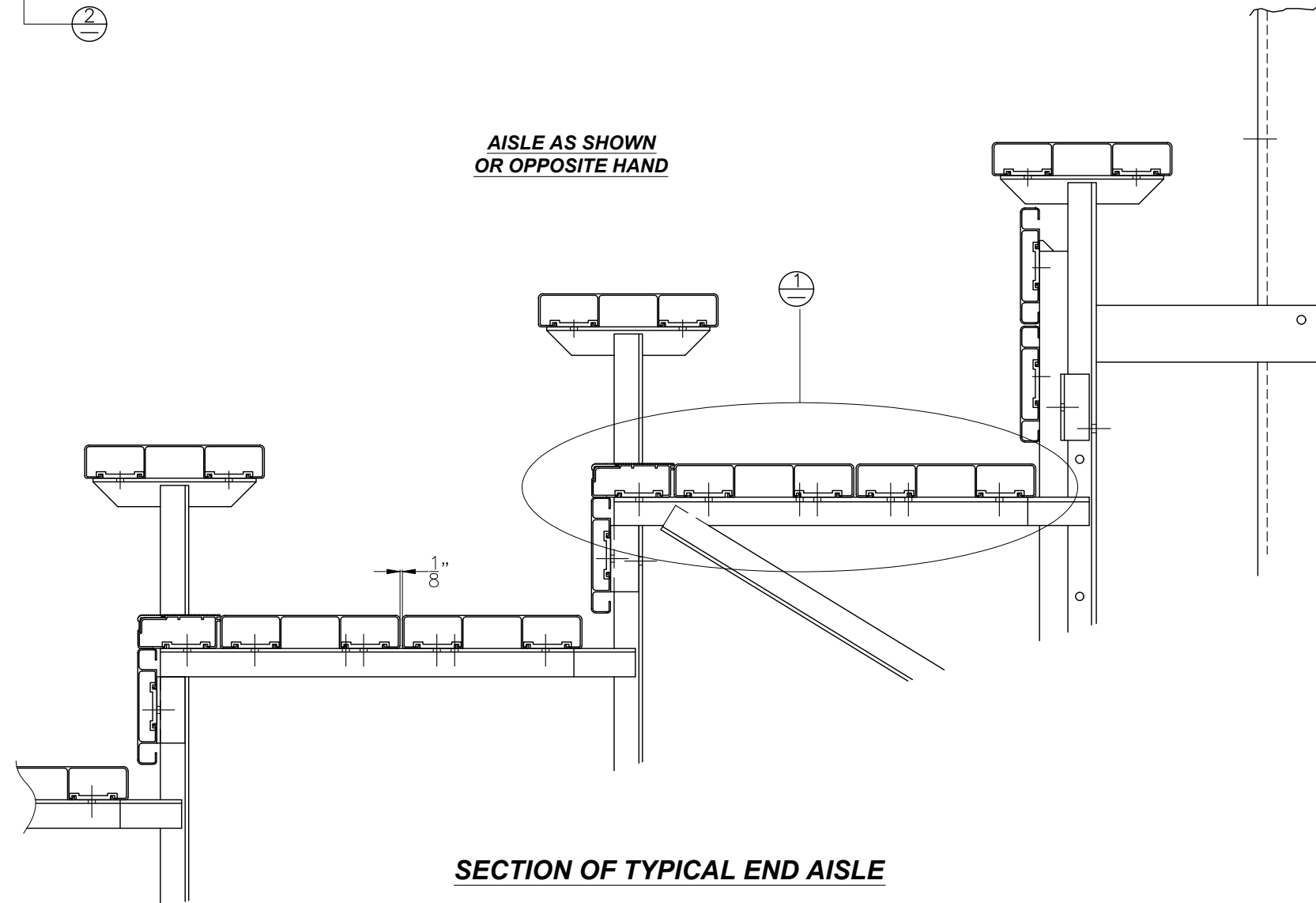
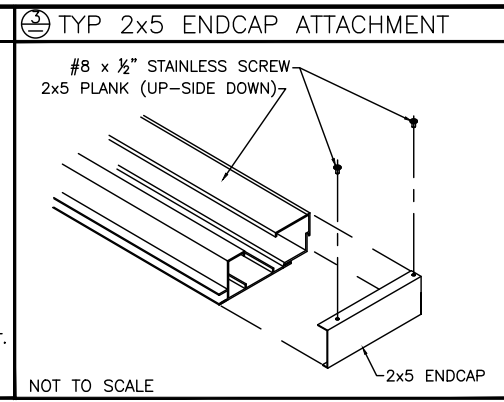
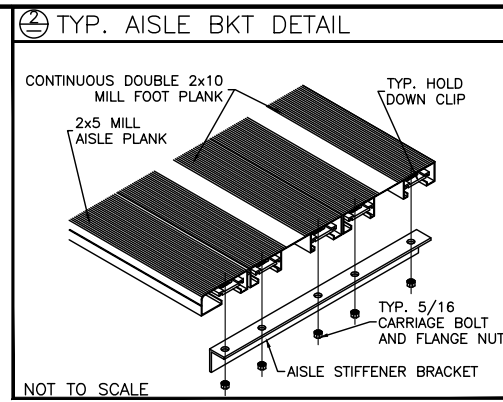
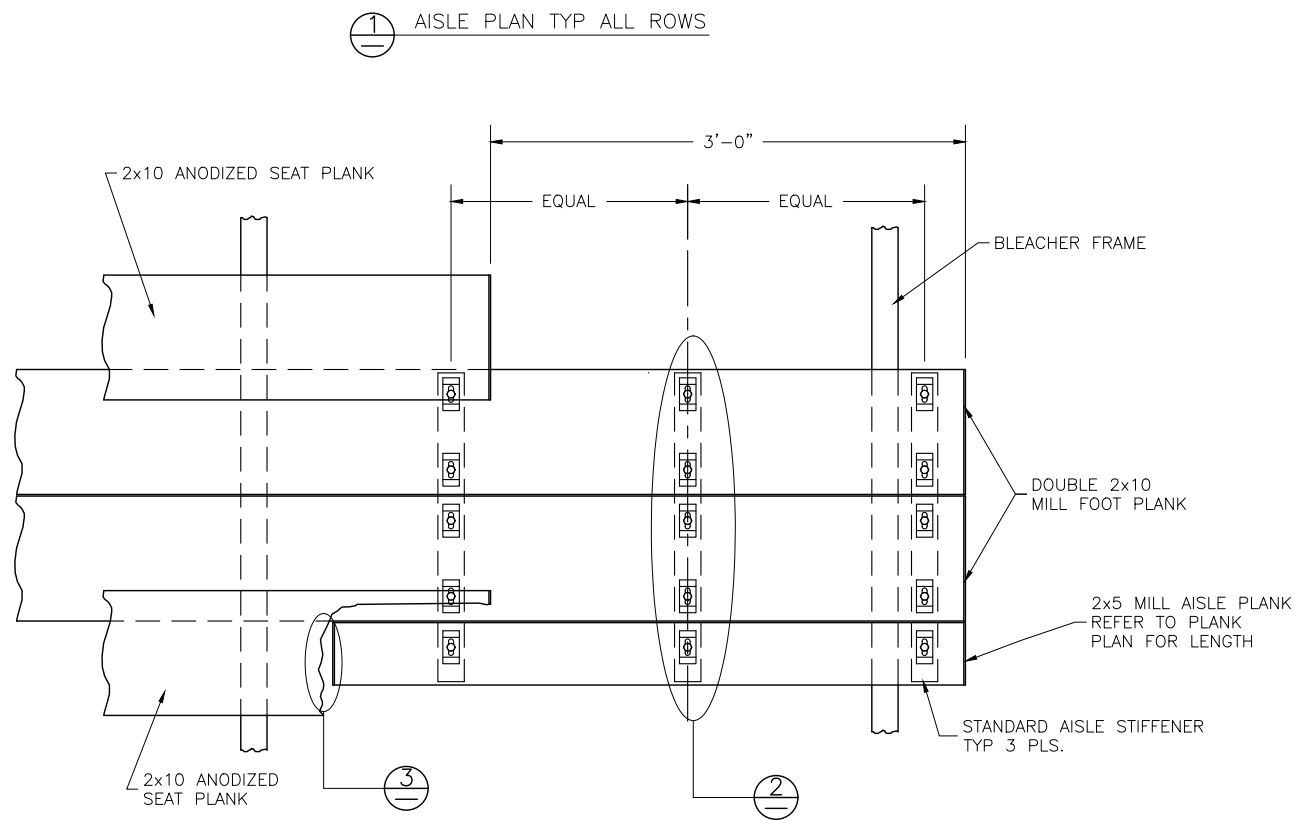
2810 Sydney Road
Plant City, Florida 33566
Phone: 813-305-1415
Fax: 813-305-1419
www.gtgrandstands.com



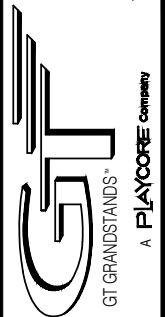
PLANK & FRAMING PLAN
5 ROW BLEACHER
WITH AISLE & HANDICAP SPACE

GS-0515ADC-EA-HC
(RIGHT SIDE AISLE)

DRAWN BY MME
CHECKED BY
DATE 12/01/2016
SCALE
JOB NO. GS-0515ADC-EA-HC
DWG NO. PF.1



2810 Sydney Road
Plant City, Florida 33566
Phone: 813-305-1415
Fax: 813-305-1419
www.gtgrandstands.com



VERTICAL AISLE ASSEMBLY
5 ROW BLEACHER
WITH AISLE & HANDICAP SPACE

GS-0515ADC-EA-HC
(RIGHT SIDE AISLE)

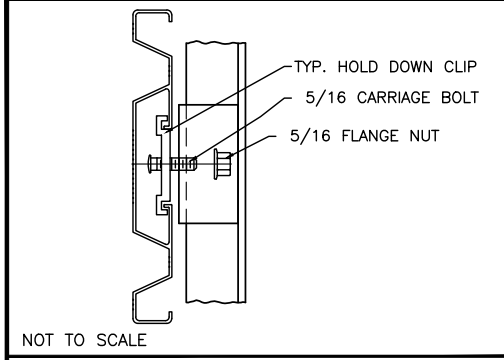
DRAWN BY
MME
CHECKED BY

DATE
12/01/2016
SCALE

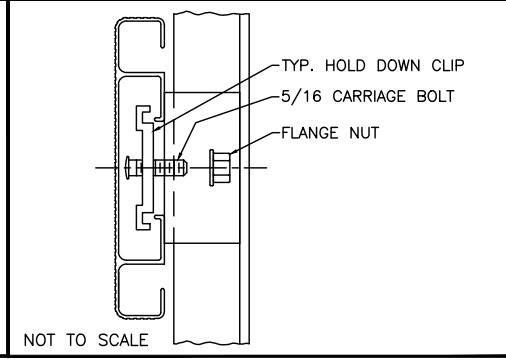
JOB NO.
GS-0515ADC-EA-HC

DWG NO.
VA.1

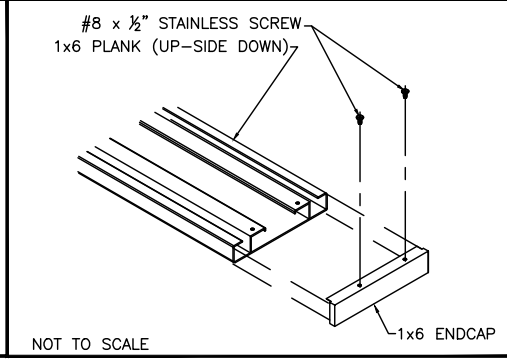
⊕ TYP 1x8 PLANK ATTACHMENT



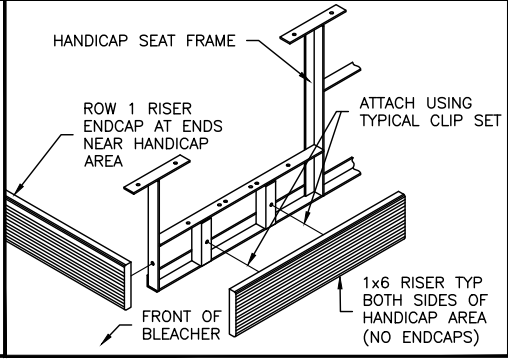
⊖ TYP 1x6 PLANK ATTACHMENT



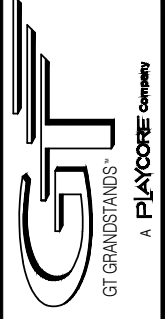
⊕ TYP 1x6 ENDCAP ATTACHMENT



⊕ HC SIDE TOEBOARD ATTACHMENT



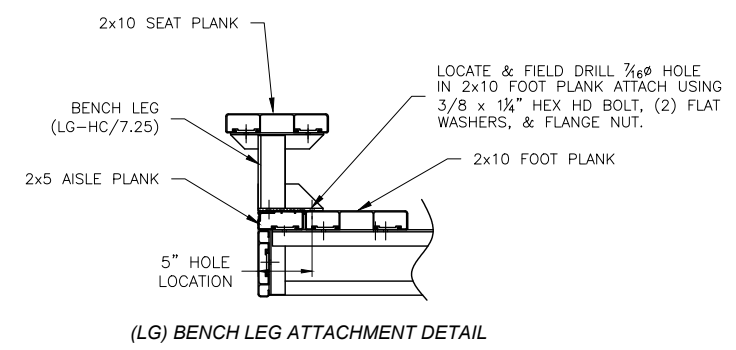
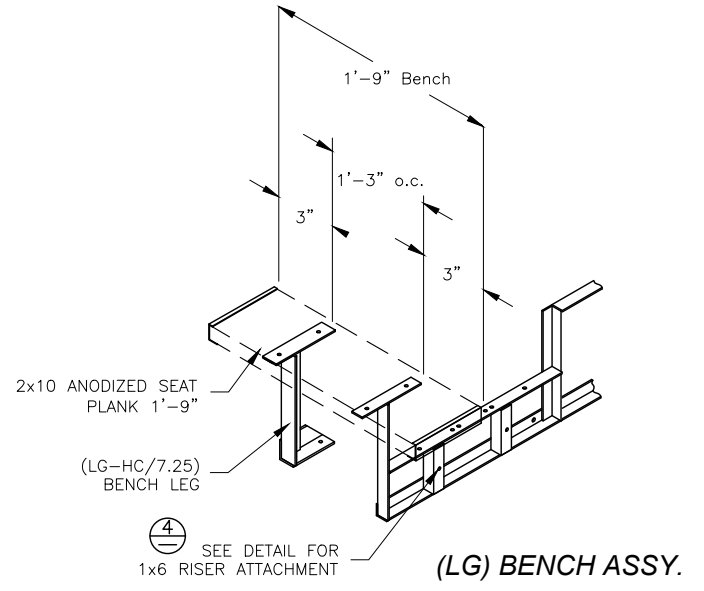
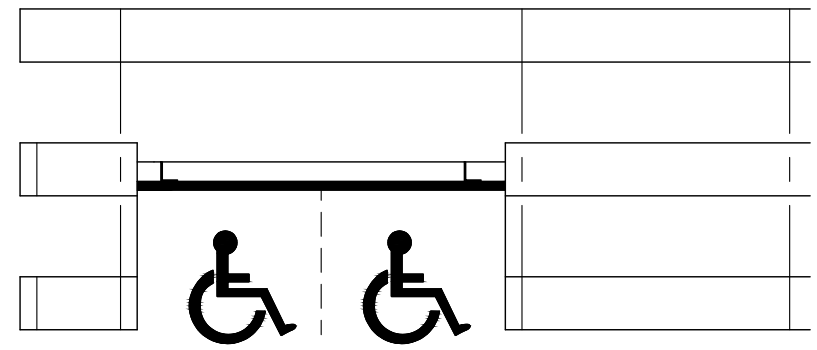
2810 Sydney Road
Plant City, Florida 33566
Phone: 813-305-1415
Fax: 813-305-1419
www.gtgrandstands.com



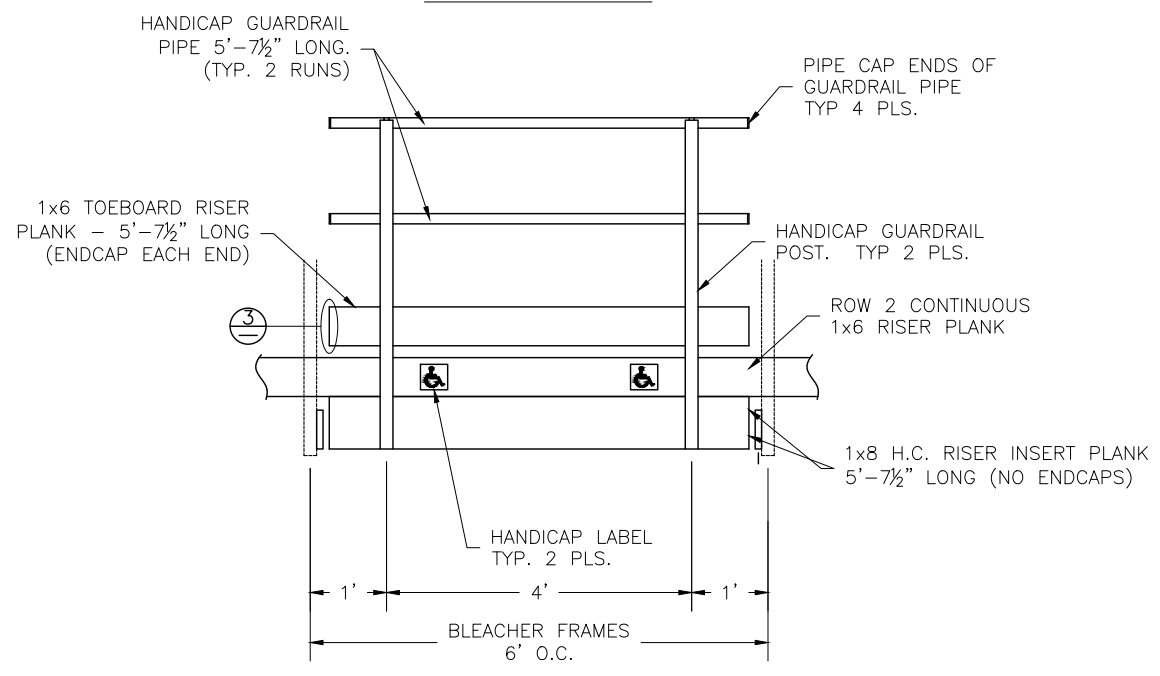
WHEELCHAIR ACCESS INSERT
5 ROW BLEACHER
WITH AISLE & HANDICAP SPACE

GS-0515ADC-EA-HC
(RIGHT SIDE AISLE)

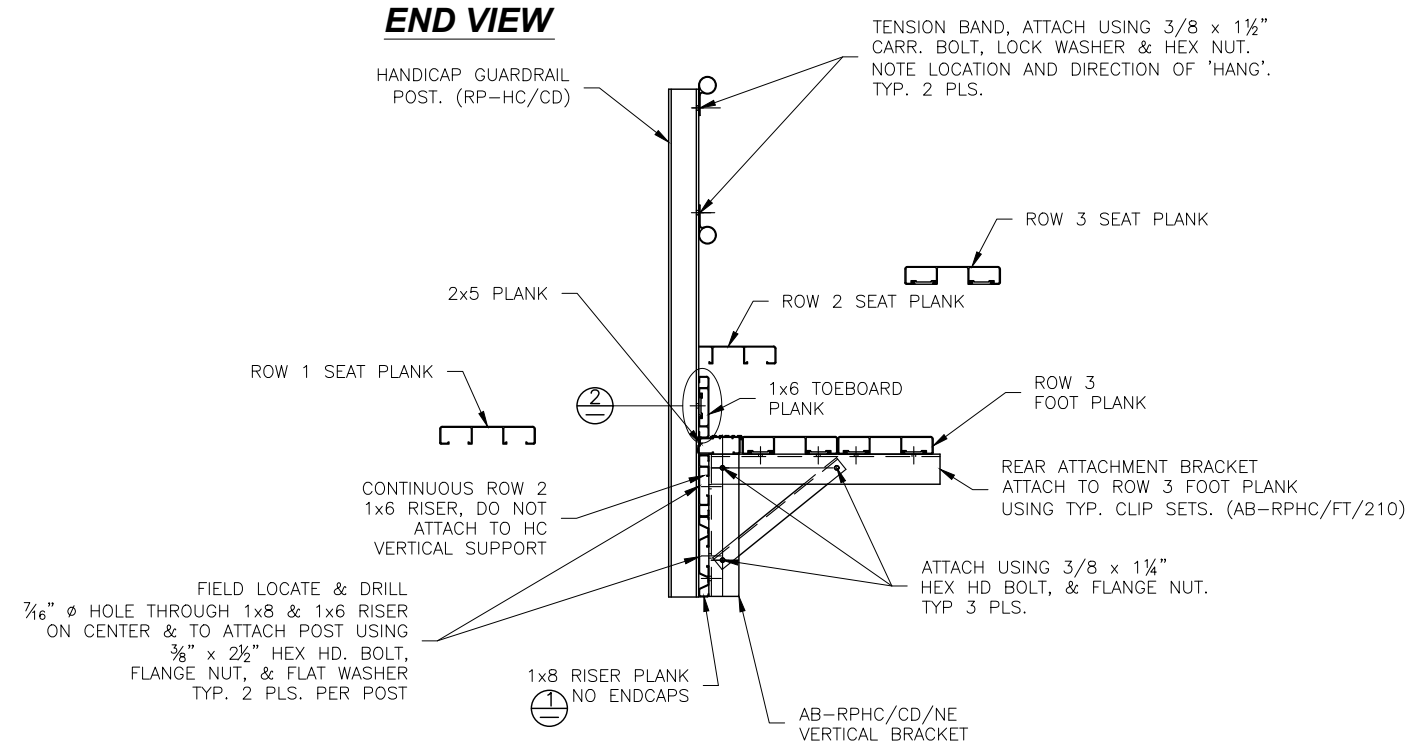
DRAWN BY
MME
CHECKED BY
DATE
12/01/2016
SCALE
JOB NO.
GS-0515ADC-EA-HC
DWG NO.
WC.1



FRONT VIEW

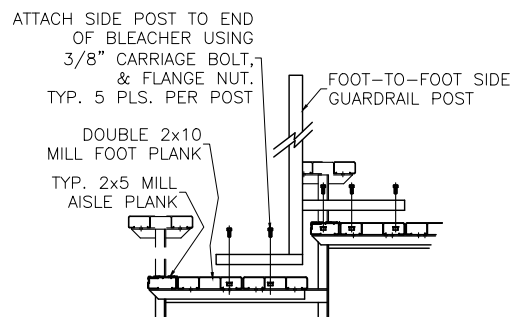
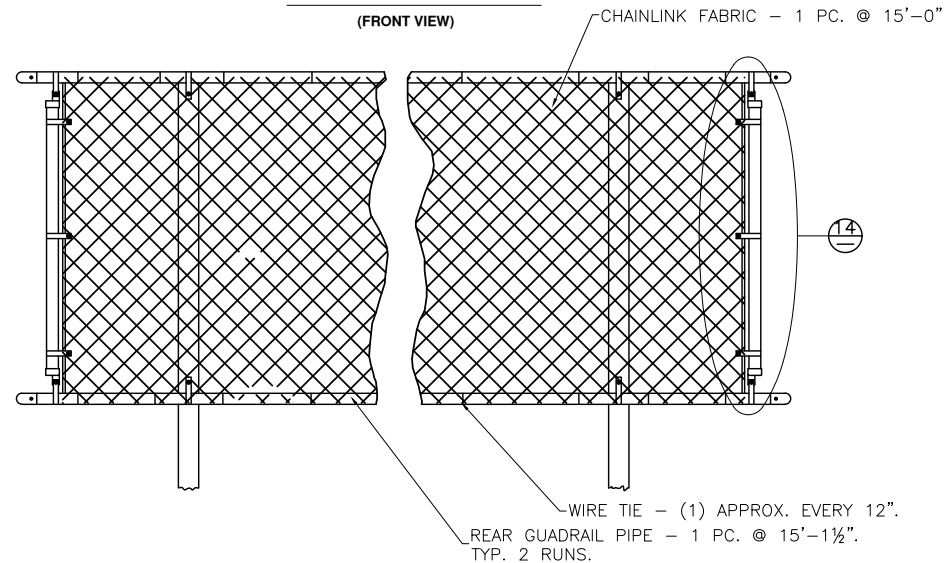


END VIEW



REAR GUARDRAIL

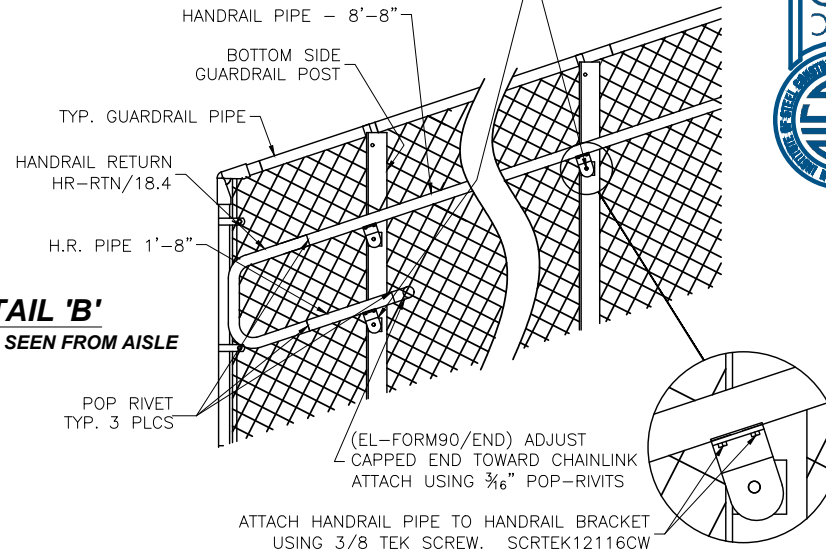
(FRONT VIEW)



DETAIL 'A'

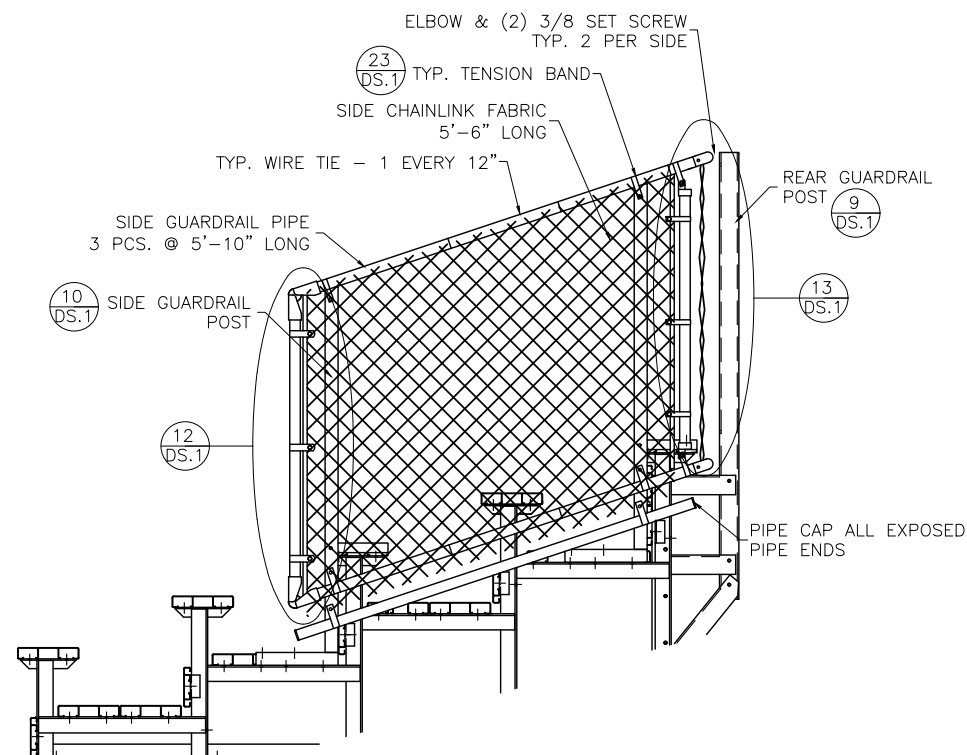
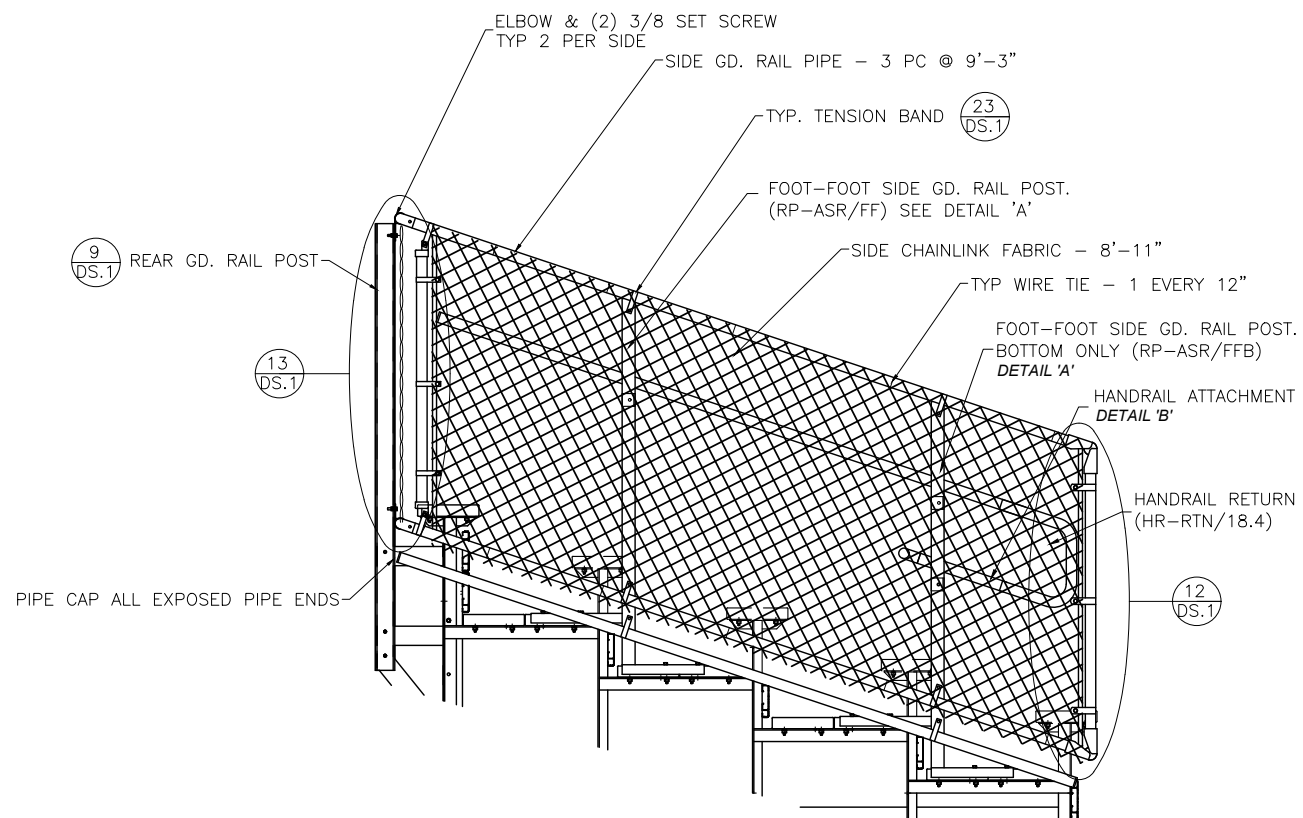
FOOT-TO-FOOT SIDE GUARDRAIL POST ATTACHMENT

AISLE HANDRAIL BRACKET. ATTACH USING 3/8" HEX HD BOLT, & FLANGE NUT. TYP. 2 PLS. BOTTOM POST ONLY, TYP. 1 ALL OTHER POSTS. (LEFT SIDE GUARDRAIL ONLY)



DETAIL 'B'

HANDRAIL AS SEEN FROM AISLE



PLEASE REFER TO PAGE DS.1 FOR DETAILS



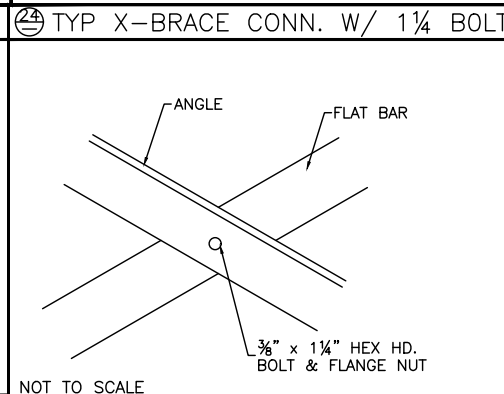
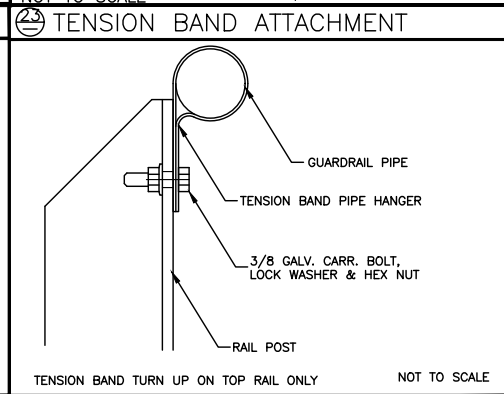
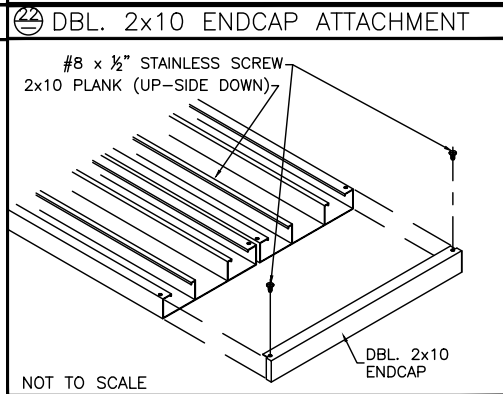
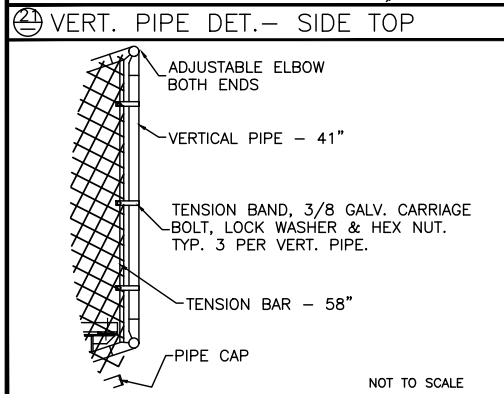
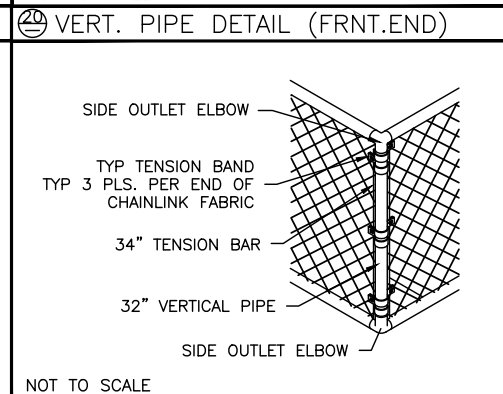
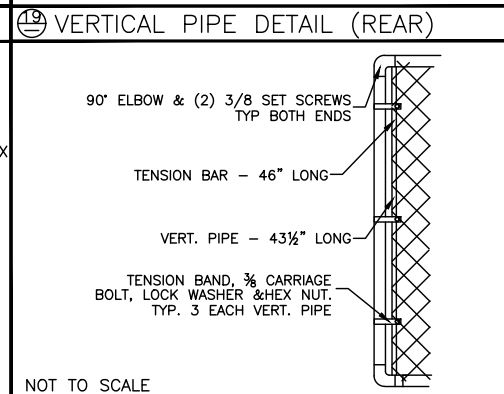
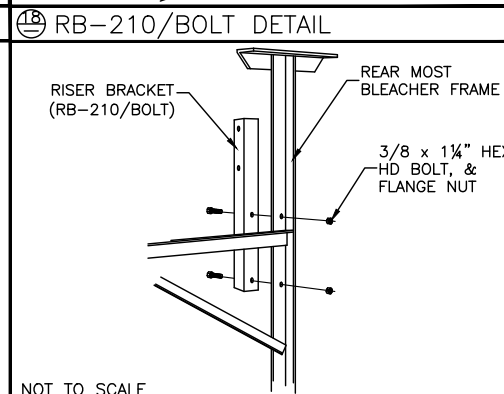
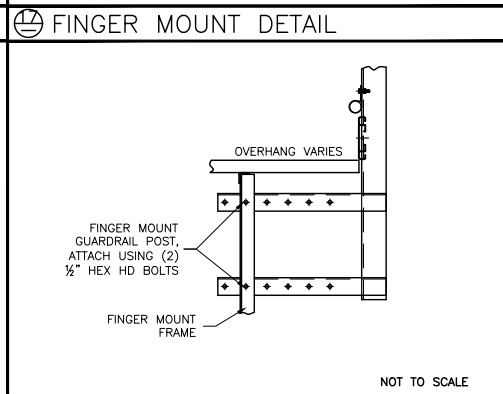
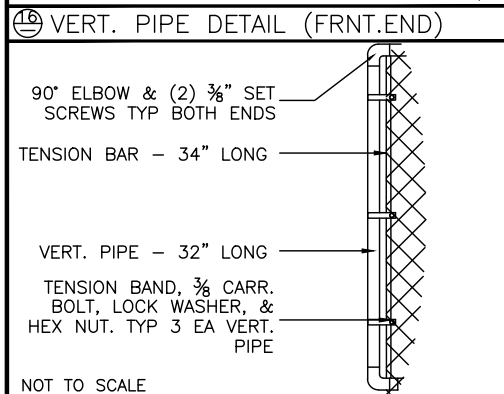
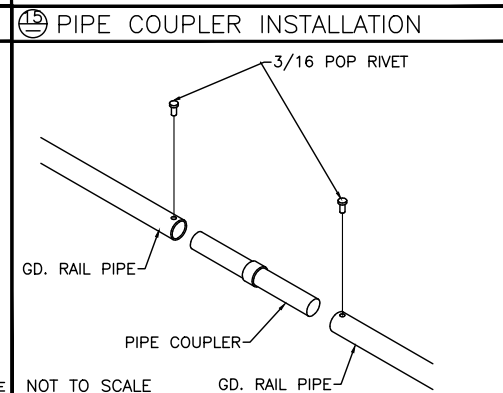
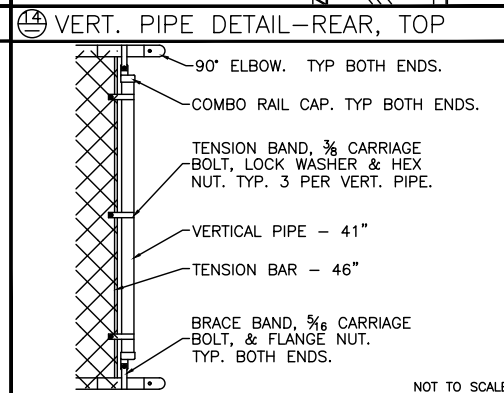
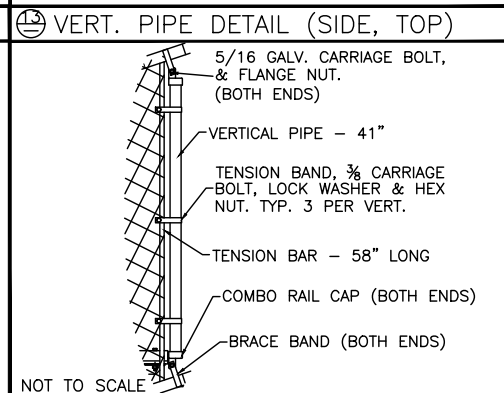
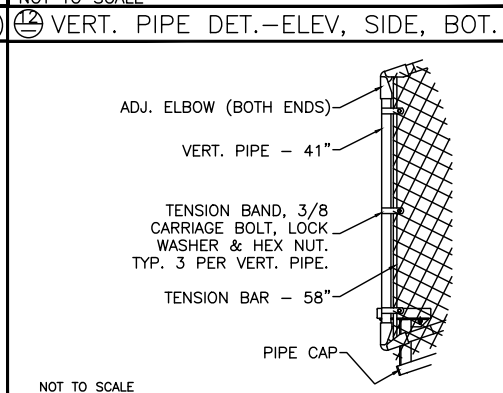
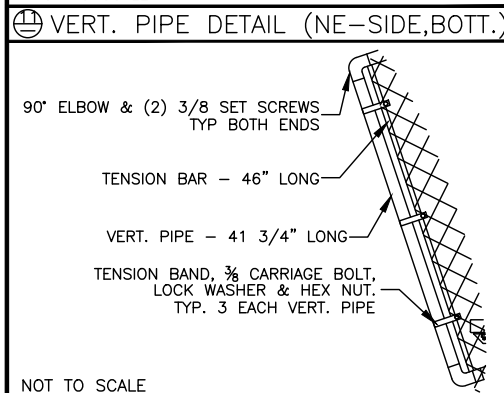
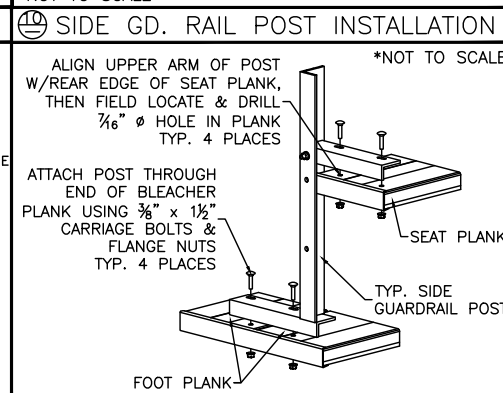
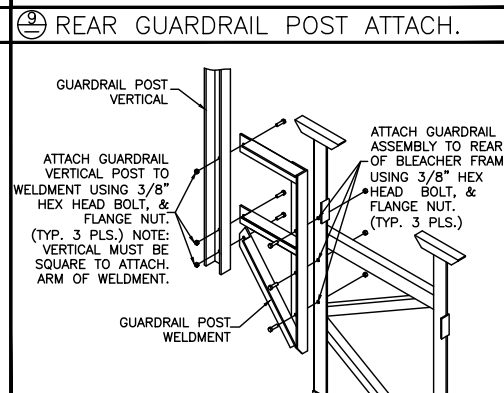
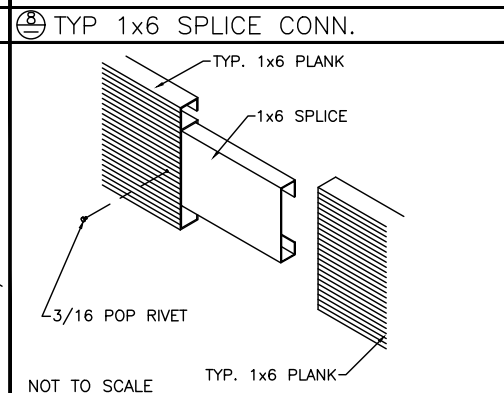
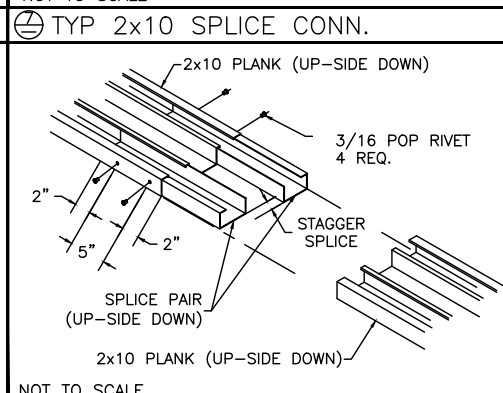
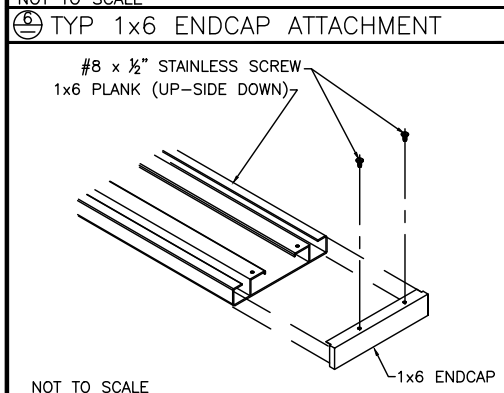
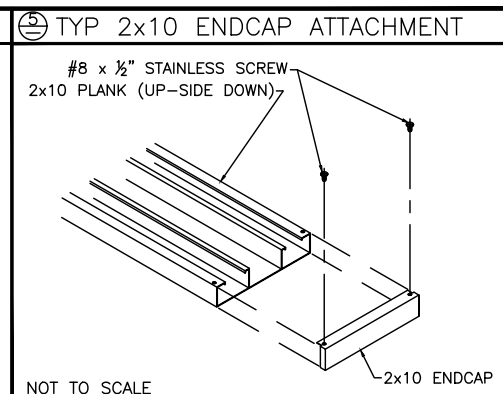
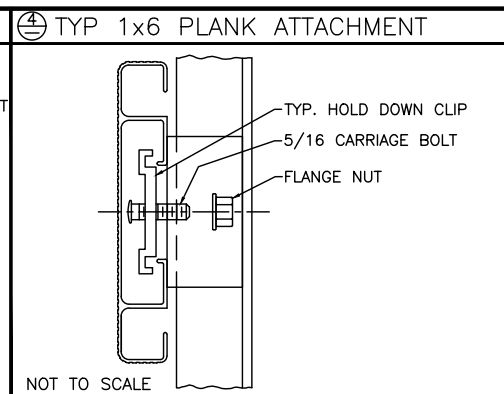
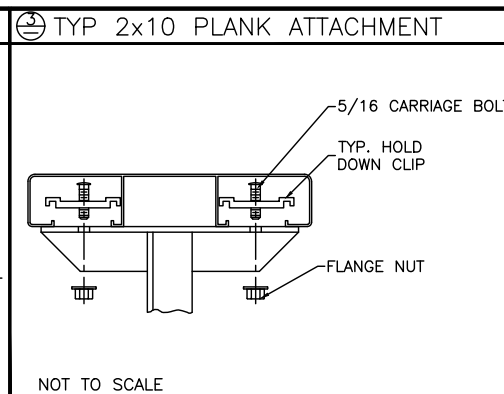
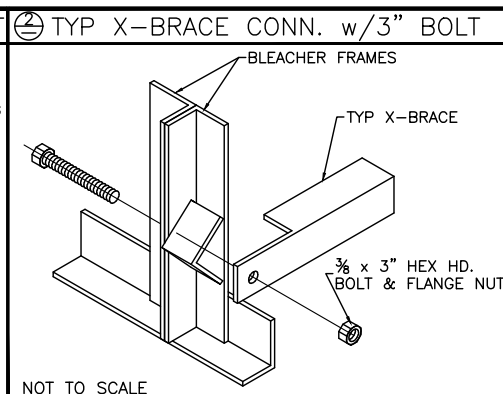
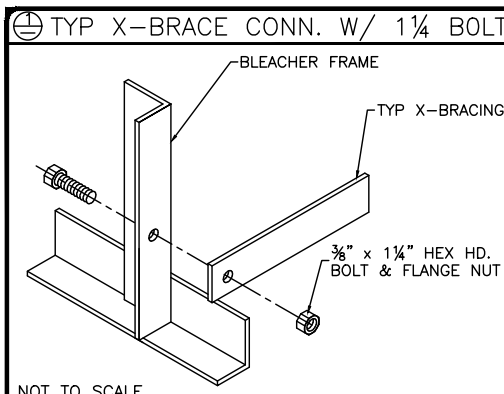
2810 Sydney Road
Plant City, Florida 33566
Phone: 813-305-1415
Fax: 813-305-1419
www.gtgrandstands.com



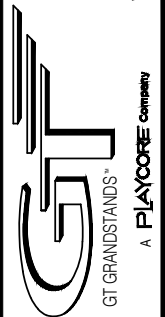
GUARDRAIL ASSEMBLY
5 ROW BLEACHER
WITH AISLE & HANDICAP SPACE

GS-0515ADC-EA-HC
(RIGHT SIDE AISLE)

DRAWN BY MME
CHECKED BY
DATE 12/01/2016
SCALE
JOB NO. GS-0515ADC-EA-HC
DWG NO. GR.1



2810 Sydney Road
Plant City, Florida 33566
Phone: 813-305-1415
Fax: 813-305-1419
www.ggrandstands.com



DETAIL SHEET
5 ROW BLEACHER
WITH AISLE & HANDICAP SPACE

GS-0515ADC-EA-HC
(RIGHT SIDE AISLE)

DRAWN BY
MME
CHECKED BY
DATE
12/01/2016
SCALE
JOB NO.
GS-0515ADC-EA-HC
DWG NO.
DS.1