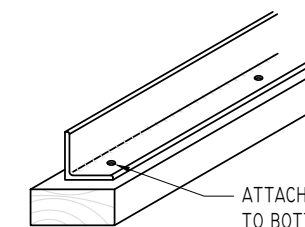


### SEATING PLAN

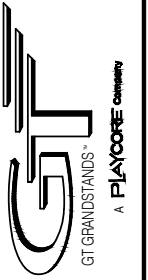
SCALE: 1/4" = 1'-0"  
NET SEATS = 168



ATTACH TREATED WOOD SILL TO BOTTOM FRAME RUNNER USING 3/8" x 1-1/4" LAG SCREW WITH FLAT WASHER

### MUD SILL ATTACHMENT

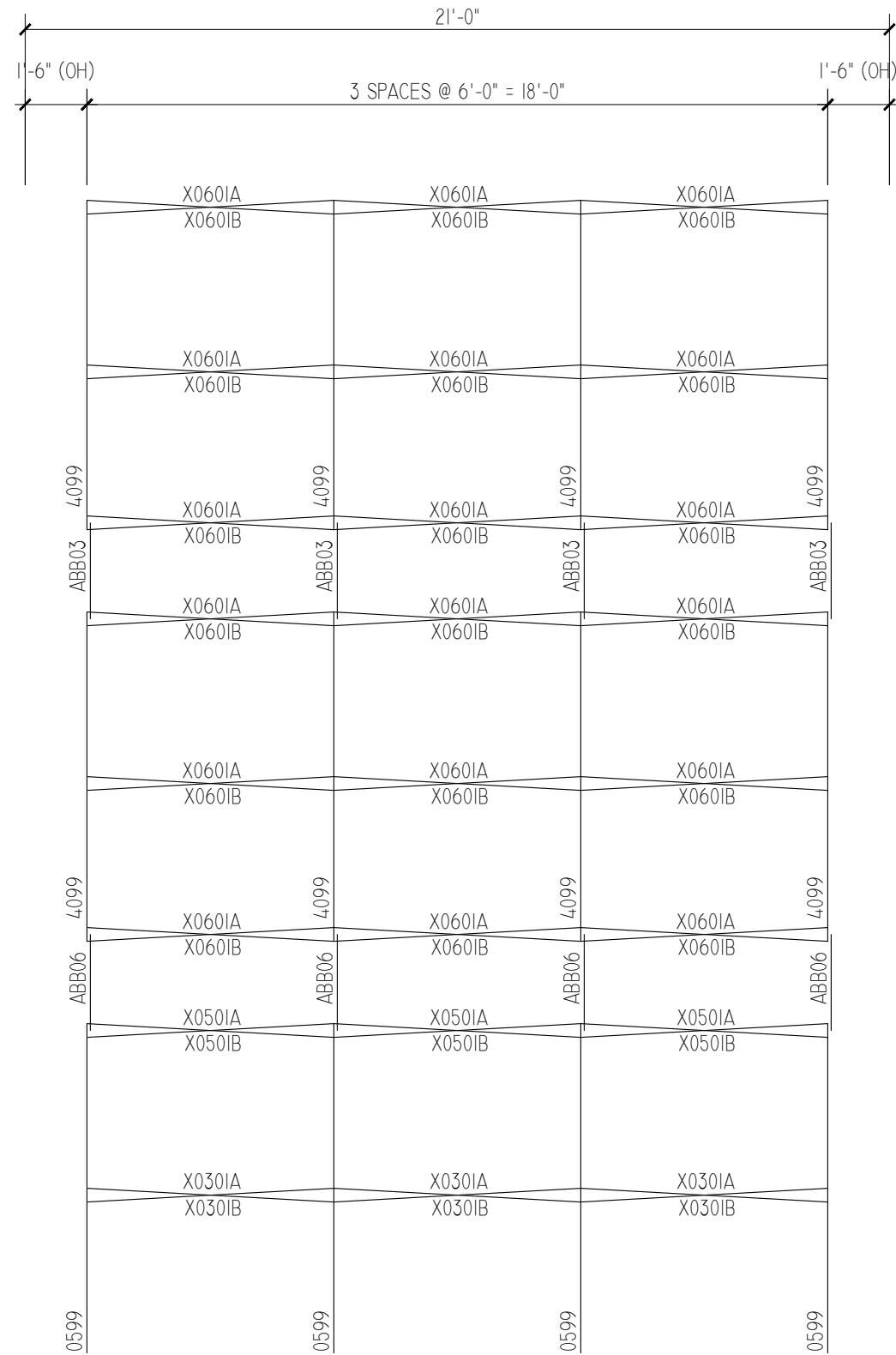
2810 Sydney Road  
Plant City, Florida 33566  
Phone: 813-305-1415  
Fax: 813-305-1419  
www.gtgrandstands.com



SEATING PLAN  
15 ROW BLEACHER  
WITH AISLE

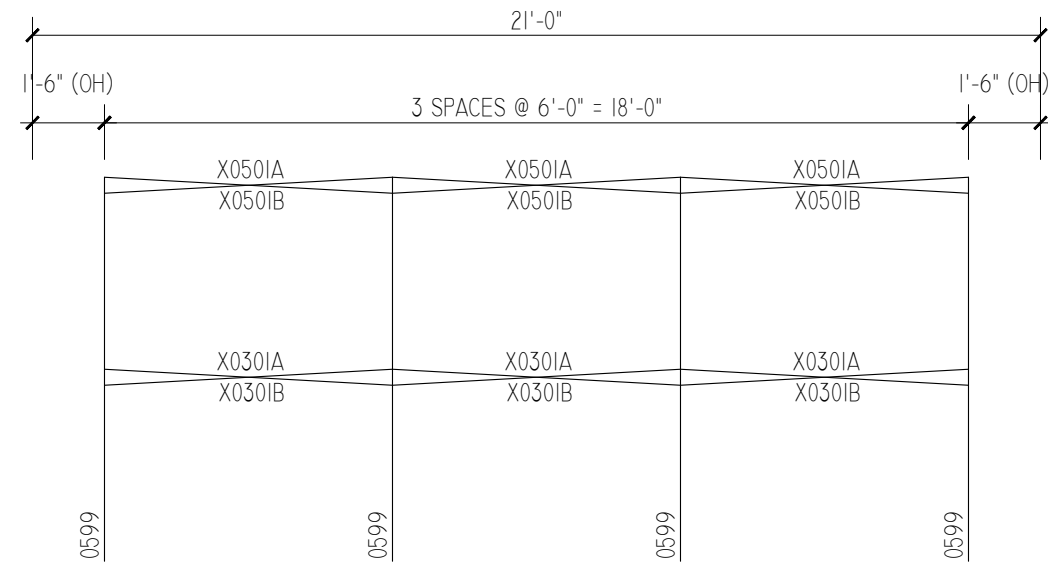
GS-1521ADC-A AND GS-1521GDC-A  
OPTIONAL -MS (MUD SILLS)

DRAWN BY  
CHECKED BY  
DATE  
MAY 2010  
SCALE  
NOTED  
JOB NO.  
GS-1521ADC-A  
GS-1521GDC-A  
DWG NO.



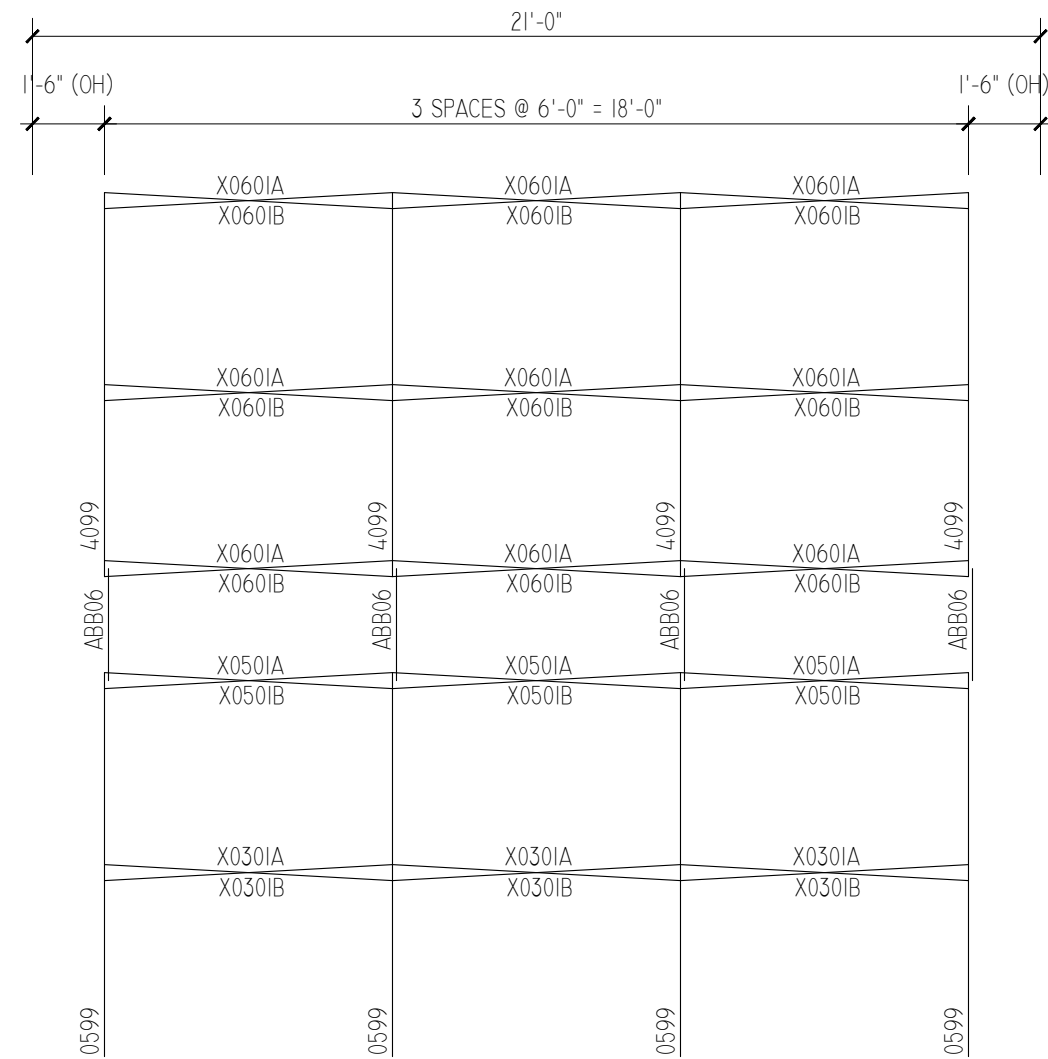
**LEVEL 1 FRAMING PLAN**

SCALE:  $\frac{1}{4}'' = 1'-0''$



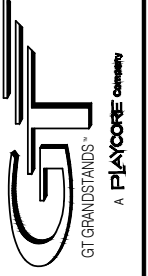
**LEVEL 3 FRAMING PLAN**

SCALE:  $\frac{1}{4}'' = 1'-0''$

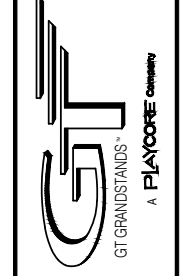


**LEVEL 2 FRAMING PLAN**

SCALE:  $\frac{1}{4}'' = 1'-0''$



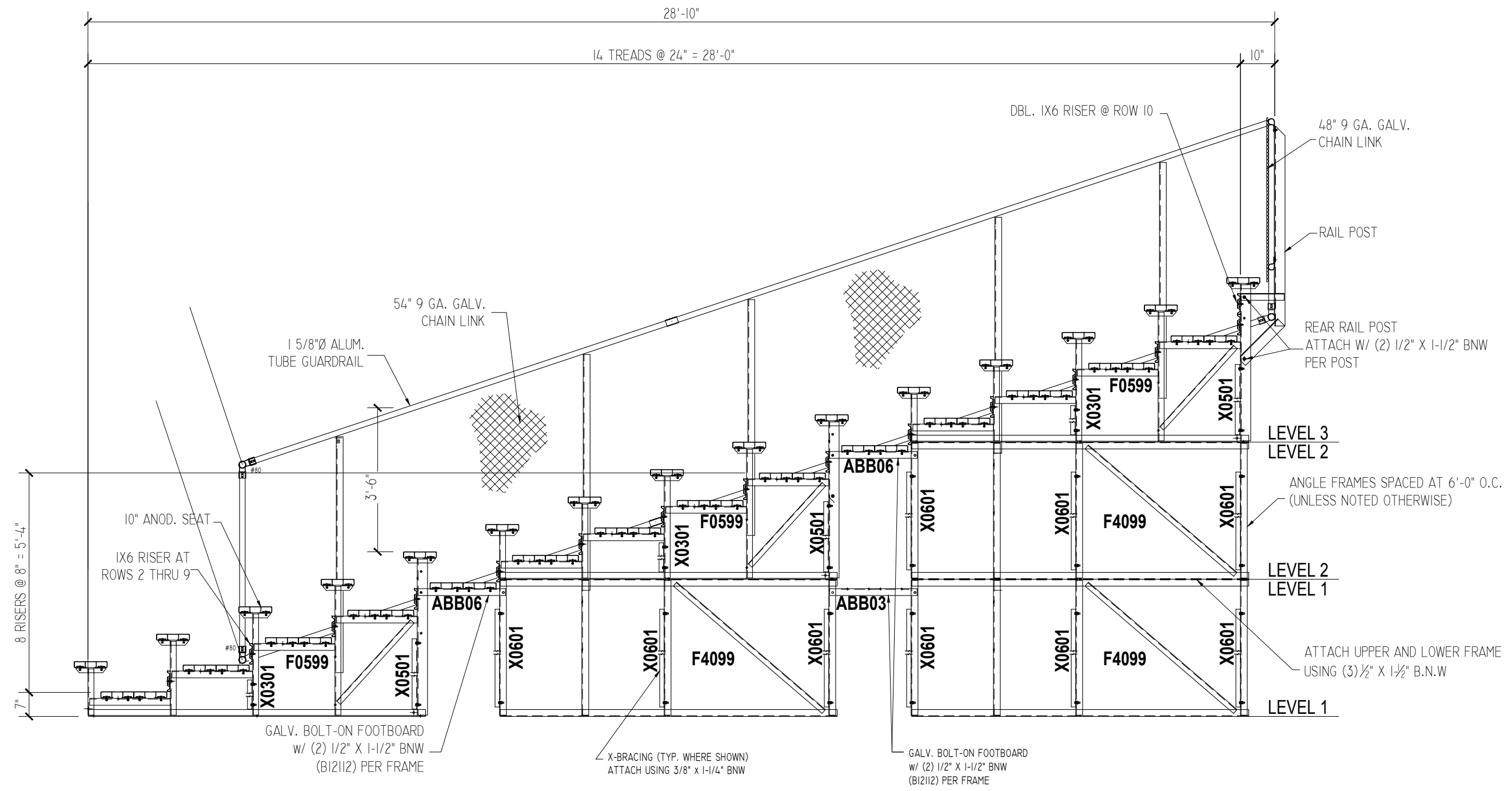
DRAWN BY
CHECKED BY
DATE MAY 2010
SCALE NOTED
JOB NO. GS-1521ADC-A GS-1521GDC-A
DWG NO.



SECTION THRU  
 15 ROW BLEACHER  
 WITH AISLE

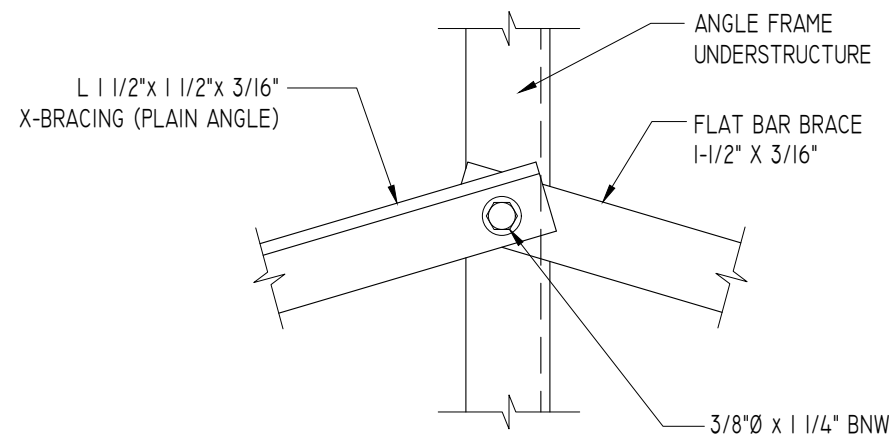
GS-15XXADC-A AND GS-15XXGDC-A  
 OPTIONAL -MS (MUD SILLS)

DRAWN BY
CHECKED BY
DATE MAY 2010
SCALE NOTED
JOB NO. GS-15xxADC-A GS-15xxGDC-A
DWG NO.



**TYPICAL THRU END OF STAND**

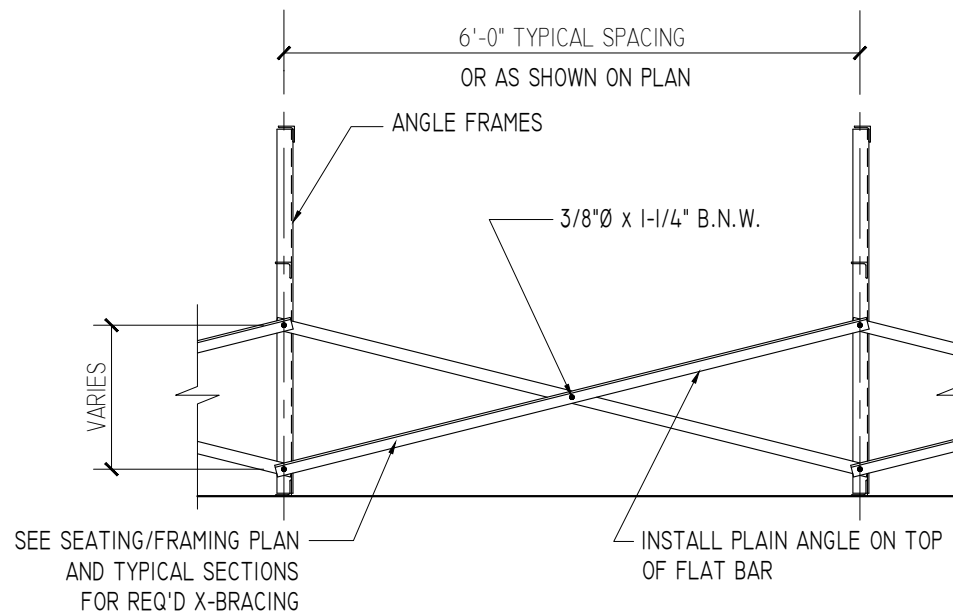
SCALE: 3/8" = 1'-0"



X-BRACE ASSEMBLY IS MADE UP OF (1) PLAIN ANGLE AND (1) FLAT BAR.

### TYPICAL X-BRACE TO FRAME CONN.

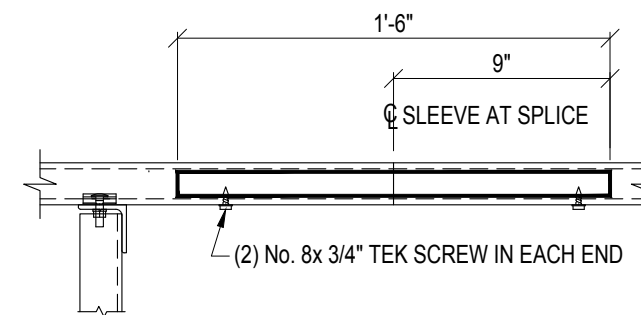
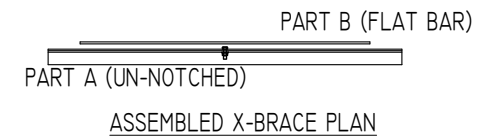
SCALE: 3" = 1'-0"



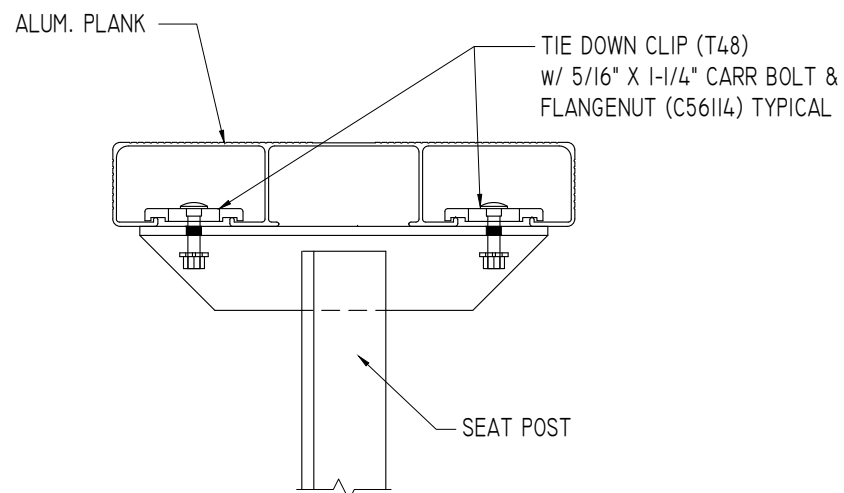
### TYPICAL BRACING LAYOUT

SCALE: 1/2" = 1'-0"

PRE-ASSEMBLE X-BRACE SETS. EACH SET CONSISTS OF A 'PART A (PLAIN ANGLE)' AND A 'PART B (FLAT BAR)'. PLACE THE PIECES TOGETHER AT THE FLAT SIDES AND CONNECT USING A 3/8" x 1-1/4" B.N.W.

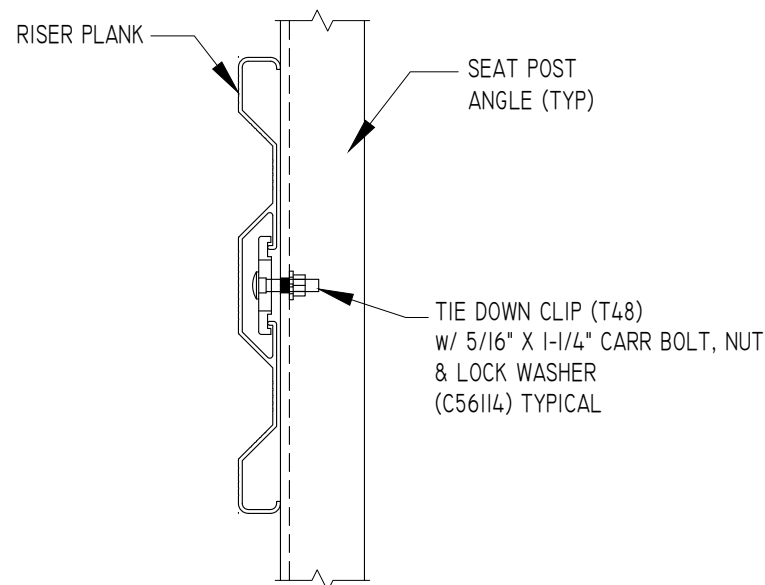


### ALUMINUM SLEEVE DETAIL



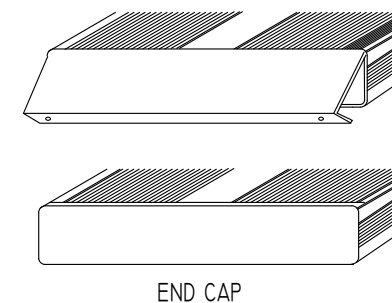
### SEAT PLANK INSTALLATION

SCALE: 3" = 1'-0"



### TYPICAL RISER INSTALLATION

SCALE: 3" = 1'-0"



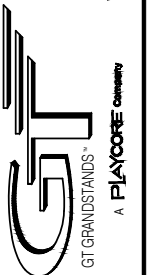
END CAP

1. LOCATE THE CHANNEL END CAP AS SHOWN, WITH THE WIDER FLANGE ON BOTTOM.
2. TAP THE CHANNEL INTO PLACE WITH A RUBBER MALLET OR SOFT WOOD.
3. DRILL (2) No. 8 x 3/4" TEK SCREWS THRU END CAP AND BOTTOM FLANGE OF PLANK
4. ENDCAPS WITH STICKERS ARE TO GO AT ENDS OF SEAT PLANKS, PLAIN ENDCAPS GO ON ALL OTHER BOARDS.

### ENDCAP INSTALLATION DETAIL

SCALE: 3" = 1'-0"

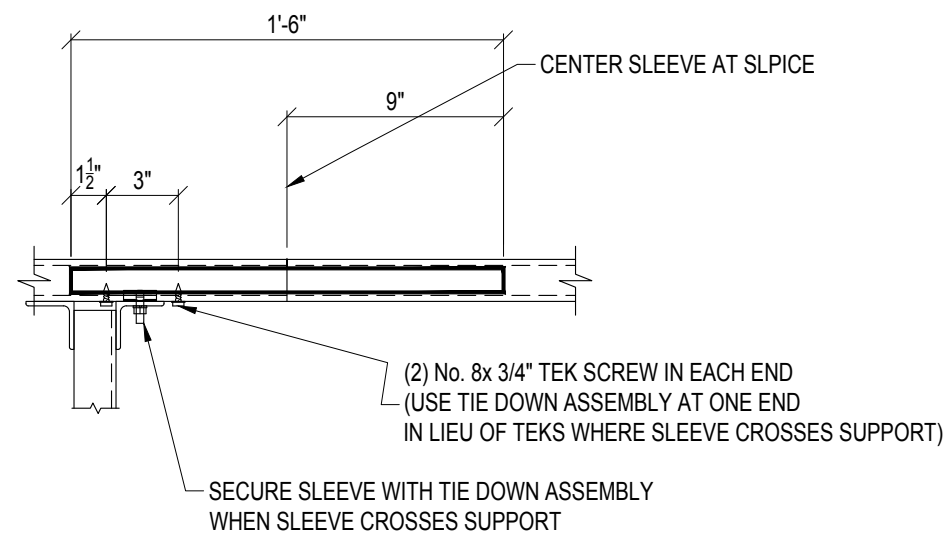
2810 Sydney Road  
Plant City, Florida 33566  
Phone: 813-305-1415  
Fax: 813-305-1419  
www.gtgrandstands.com



MISC. DETAILS  
15 ROW BLEACHER  
WITH AISLE

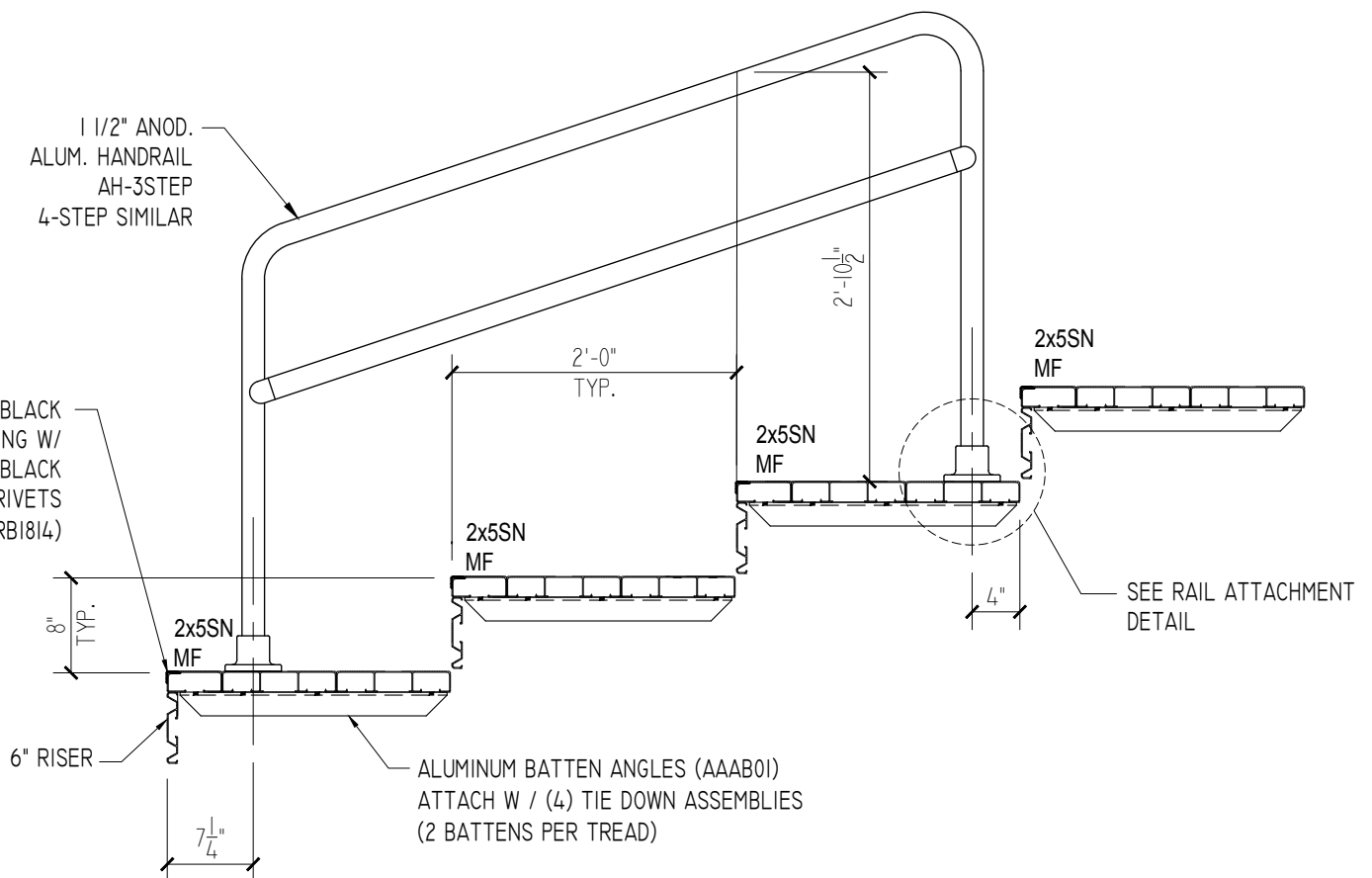
GS-15XXADC-A AND GS-15XXGDC-A  
OPTIONAL -MS (MUD SILLS)

DRAWN BY  
CHECKED BY  
DATE  
MAY 2010  
SCALE  
NOTED  
JOB NO.  
GS-15XXADC-A  
GS-15XXGDC-A  
DWG NO.



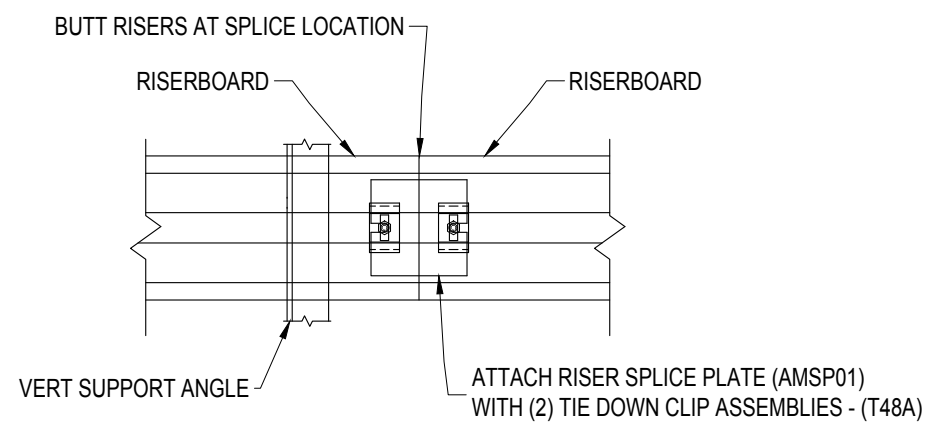
### TYPICAL PLANK SLEEVE

SCALE: 1-1/2" = 1'-0"



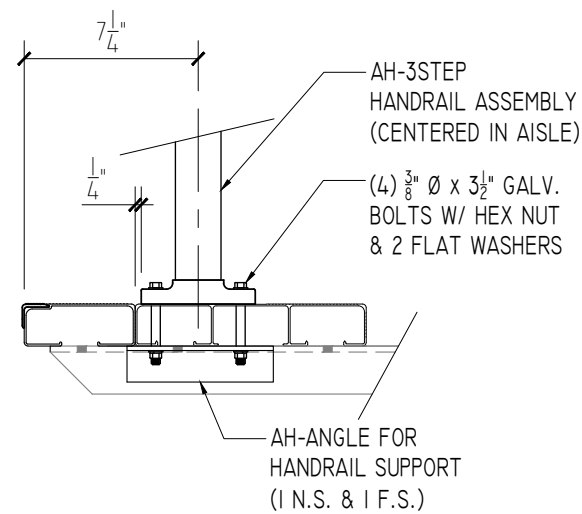
### CONDITION AT AISLE

SCALE: 3/4" = 1'-0"



### TYPICAL RISER SPLICE

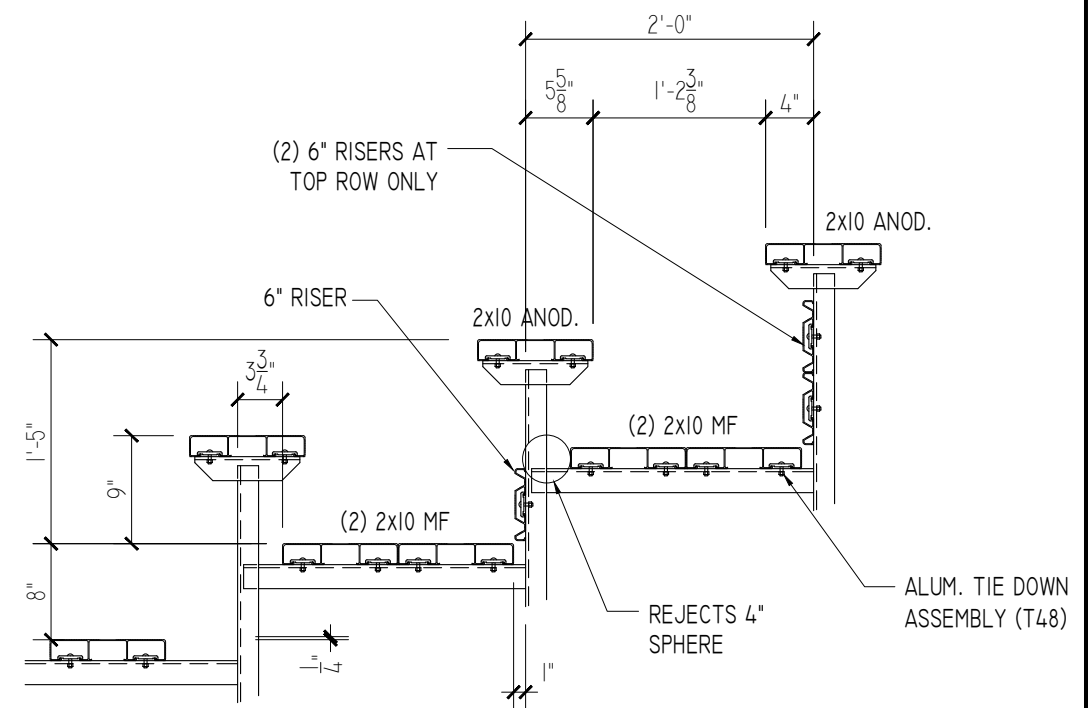
SCALE: 1-1/2" = 1'-0"



### HANDRAIL CONNECTION DETAIL

SCALE: 1-1/2" = 1'-0"

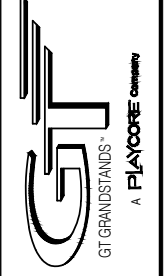
ALIGN EDGE OF FLANGE APPROX. 1/4" FROM THE EDGE OF THE CONTINUOUS 2x10 FOOT PLANK (\*ON FRONT APPLICATION DO NOT ALIGN WITH THE 2x5 AISLE STEP PLANK) SLIGHTLY ADJUST FLANGE LOCATION, IF NECESSARY, SO THAT THE BOLT HOLE IS NOT DRILLED INTO A VERTICAL LEG OF THE PLANK. DRILL Ø7/16" HOLES (FOR 3/8" BOLT). ASSEMBLE AS SHOWN IN ABOVE SPECIFIC DETAILS USING GALVANIZED BOLTS, FLAT WASHERS, AND FLANGE NUTS.



### CONDITION AT SEATS

SCALE: 3/4" = 1'-0"

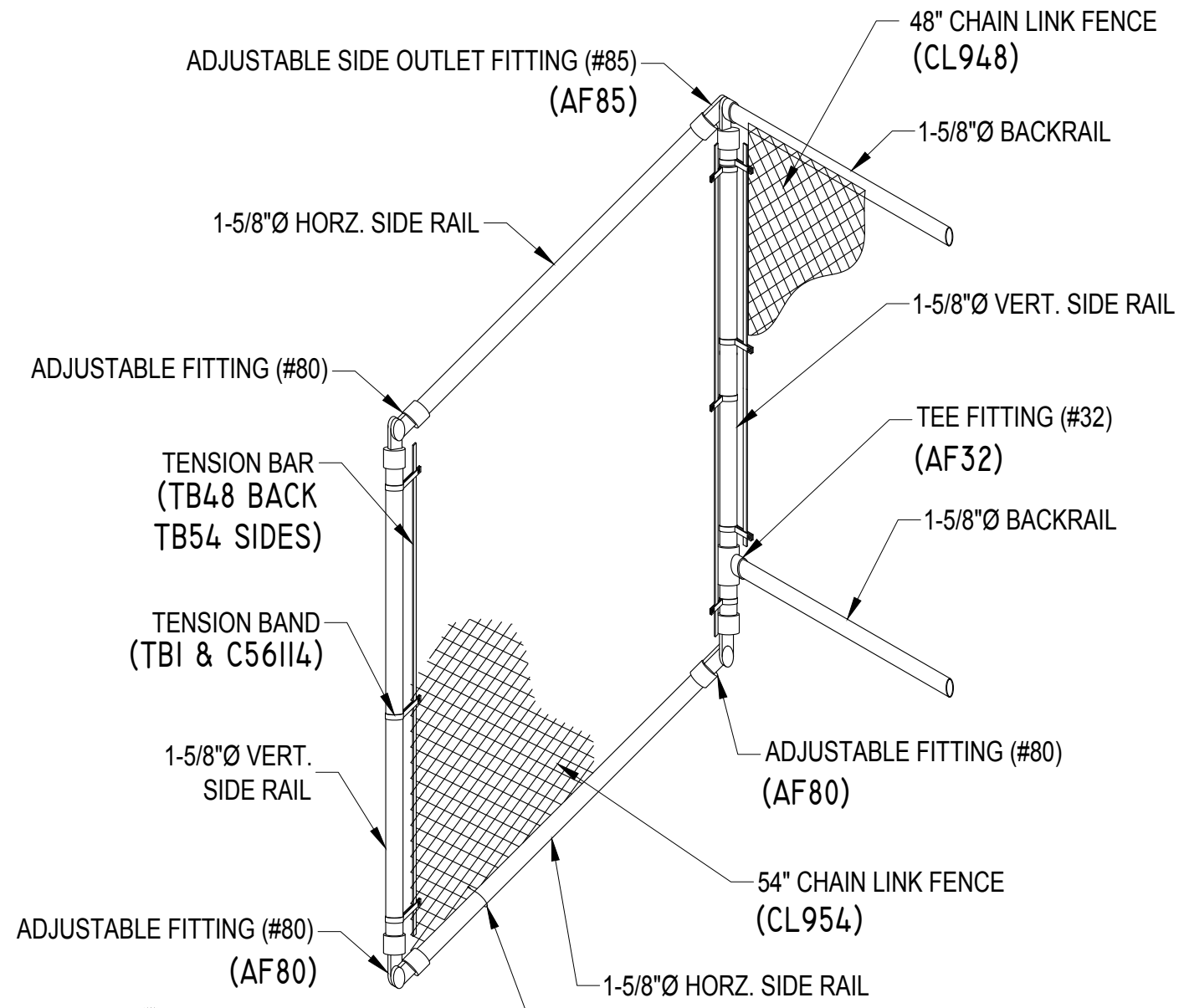
2810 Sydney Road  
Plant City, Florida 33566  
Phone: 813-305-1415  
Fax: 813-305-1419  
www.gtgrandstands.com



MISC. DETAILS  
15 ROW BLEACHER  
WITH AISLE

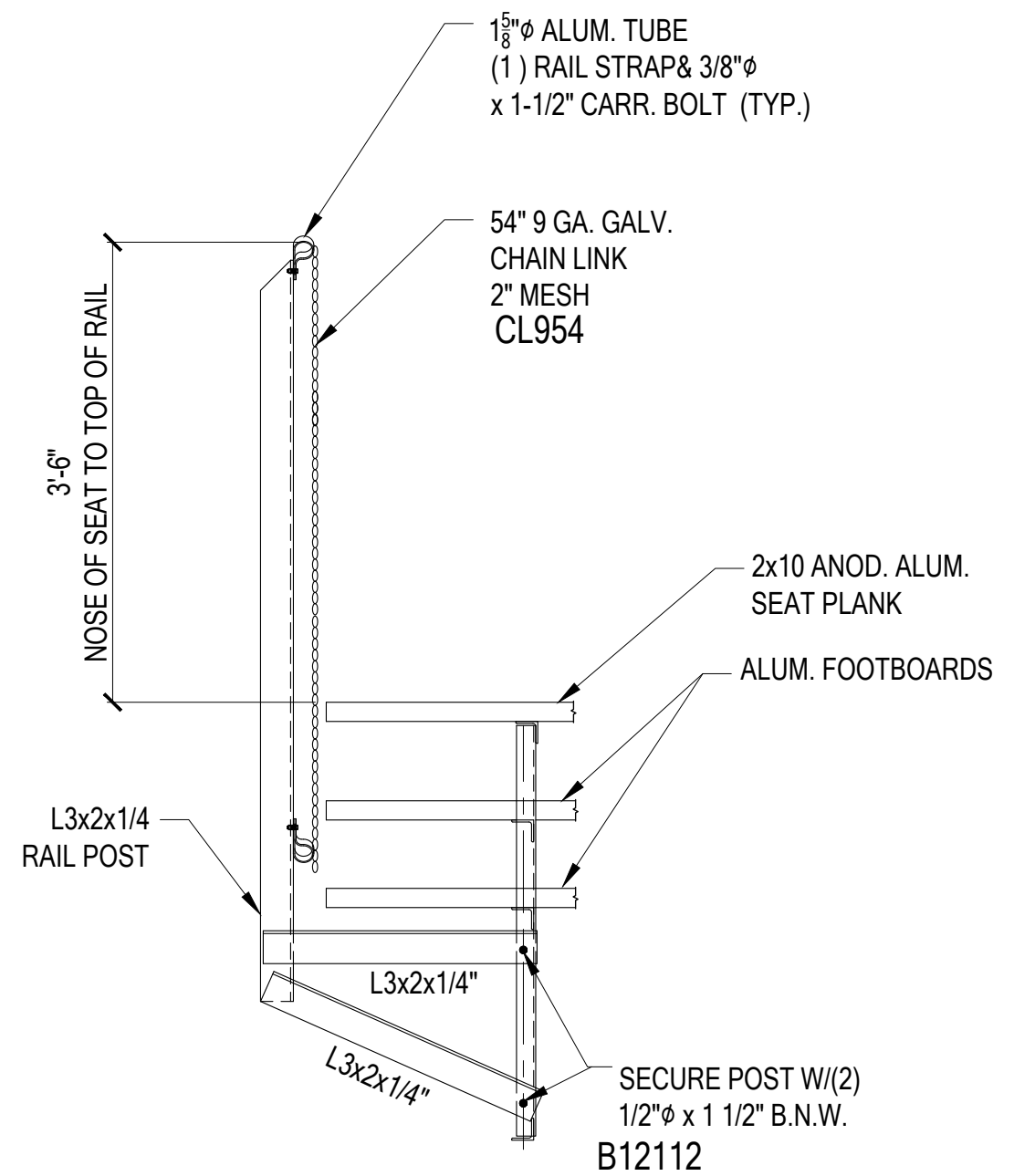
GS-15XXADC-A AND GS-15XXGDC-A  
OPTIONAL -MS (MUD SILLS)

DRAWN BY
CHECKED BY
DATE MAY 2010
SCALE NOTED
JOB NO. GS-15XXADC-A GS-15XXGDC-A
DWG NO.



CAUTION:  
 PARTS "HDSI" (1" WIDE) AND "TB1"  
 (3/8" WIDE) ARE SIMILAR - CARE  
 SHOULD BE TAKEN TO IDENTIFY  
 THESE PARTS CORRECTLY.

**ISOMETRIC VIEW**  
**CONNECTION DETAIL OF BACK RAIL TO SIDE RAIL**



**RAIL POST CONNECTION DETAIL**

B12112