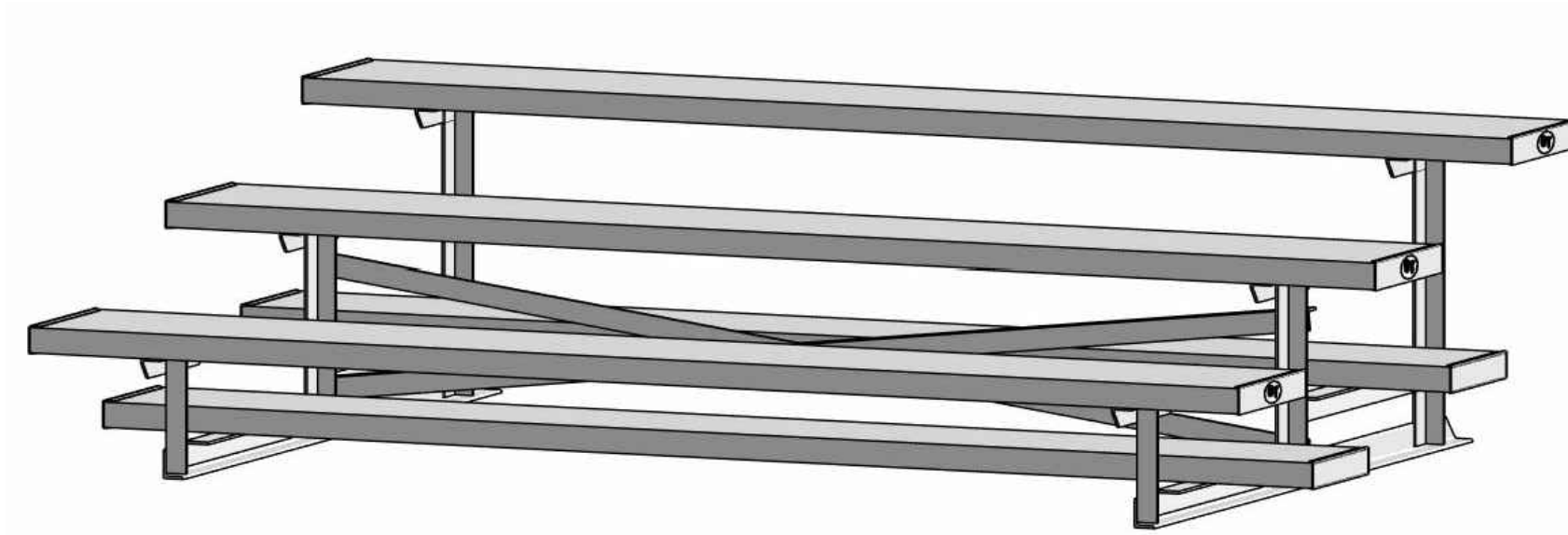


NON-ELEVATED BLEACHER

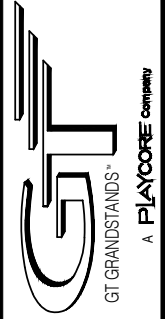


ALUMINUM 3 ROW x 9'-0" - UNIVERSAL SERIES

MODEL
LU-0309AS



2810 Sydney Road
Plant City, Florida 33566
Phone: 813-305-1415
Fax: 813-305-1419
www.gtgrandstands.com



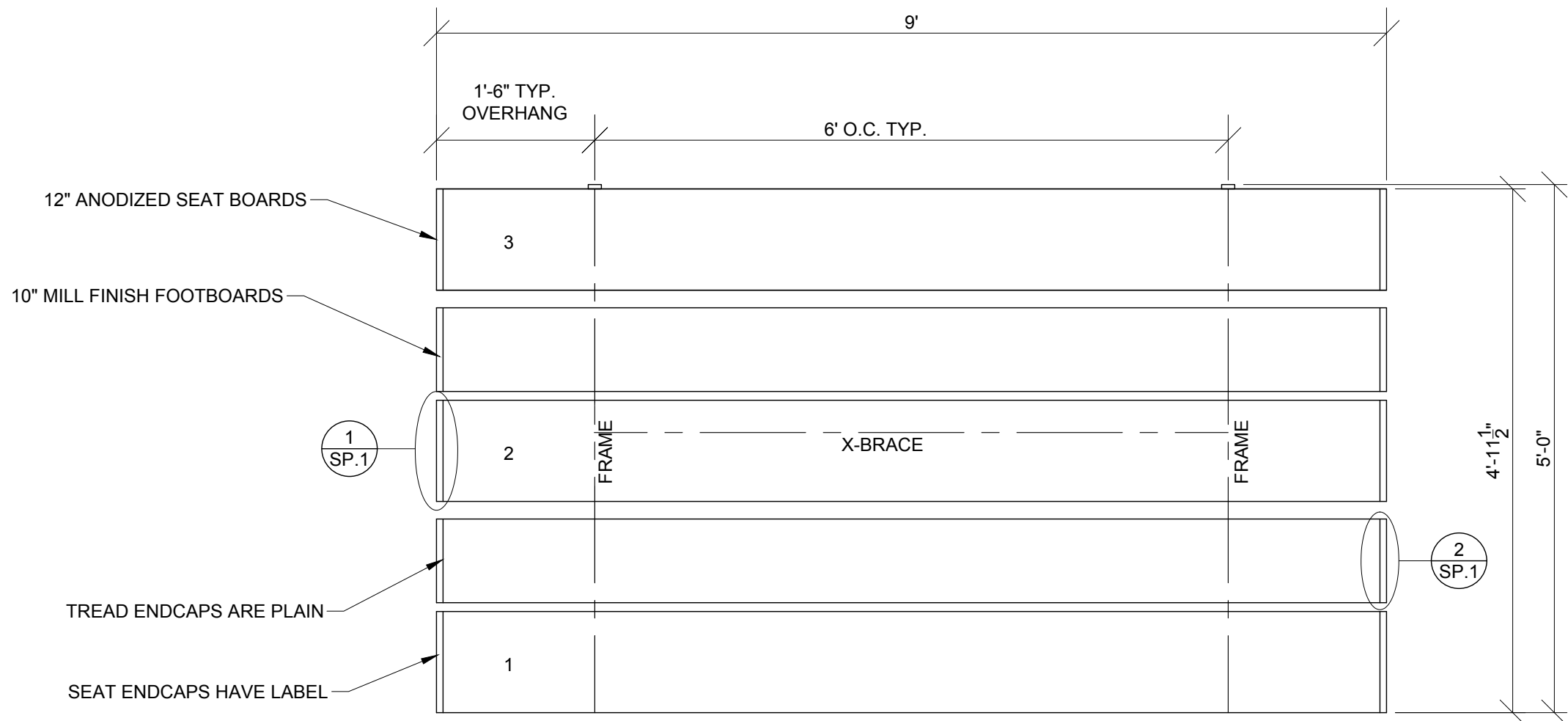
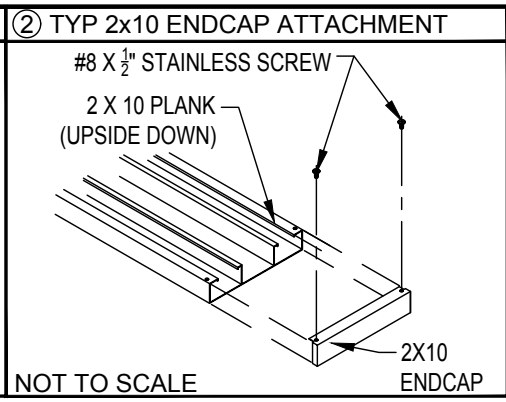
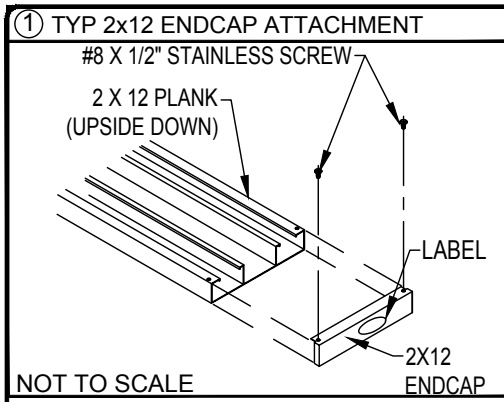
COVER SHEET
3 ROW BLEACHER
6" RISER/ 12" SEAT

LU-0309AS
OPTIONAL -MS (MUD SILL)
OPTIONAL -RB (RUBBER BUMPERS)

DRAWN BY
MME
CHECKED BY
TLC
DATE
11/01/2016
SCALE
JOB NO.

CS.1 - COVER SHEET
SP.1 - BLEACHER SEATING PLAN
FB.1 - FRAME AND BRACING
BA.1 - BLEACHER ASSEMBLY
FP.1 - FOUNDATION PLAN

LU-0309AS
DWG NO.
CS.1



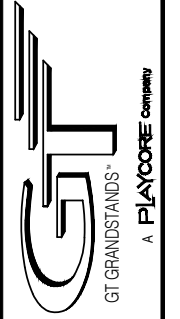
SEATING PLAN
SCALE: 3/4" = 1' - 0"

SECTION LENGTH	GROSS SEATS	ACTUAL SEATS	NO. OF ROWS	NET SEATS
9	6.00	6.00	3	18
				NET SEATS 18
				WHEELCHAIR SPACES 0
				TOTAL NET SEATING CAPACITY 18
				(BASED ON 18" PER SEAT)

LOCAL CODES AND SPECIFICATIONS WILL VARY FROM REGION TO REGION AND WILL ALSO CHANGE OVER TIME. IT IS THE BUYER'S RESPONSIBILITY TO CHECK LOCAL CODES FOR COMPLIANCE.



2810 Sydney Road
Plant City, Florida 33566
Phone: 813-305-1415
Fax: 813-305-1419
www.gtgrandstands.com



SEATING PLAN
3 ROW BLEACHER
6" RISER/ 12" SEAT

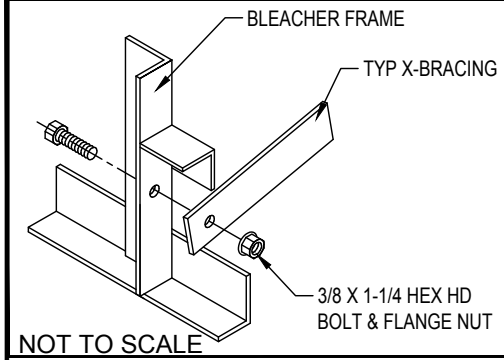
LU-0309AS
LU SERIES

DRAWN BY
MME
CHECKED BY
TLC
DATE
11/01/2016
SCALE
AS SHOWN
JOB NO.

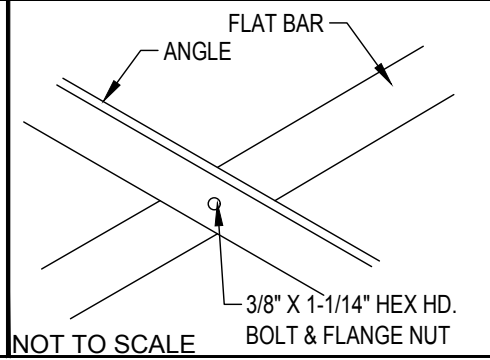
LU-0309AS
DWG NO.

SP.1

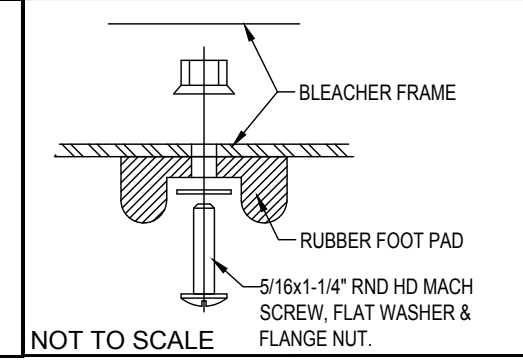
① TYP X-BRACE CONN. W/ 1 1/4" BOLT



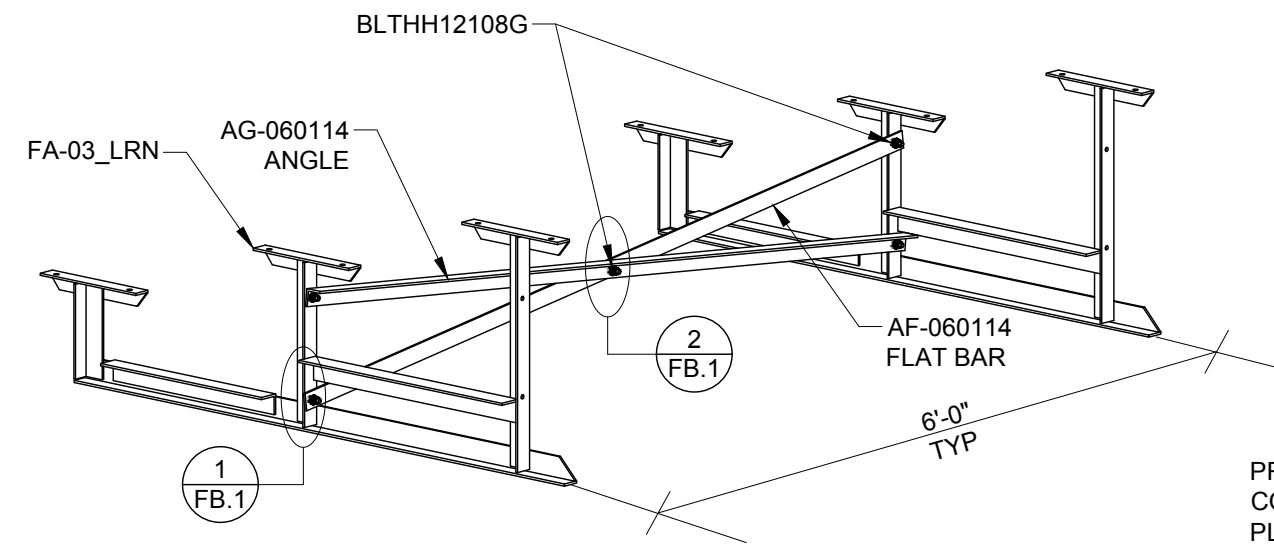
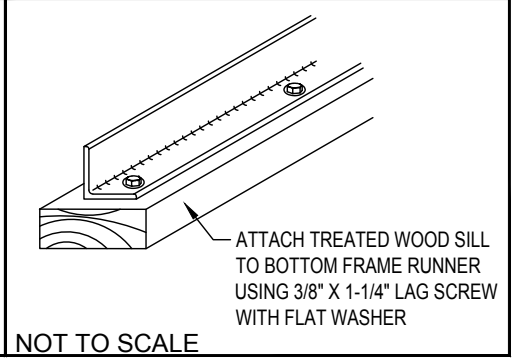
② TYP X-BRACE CONN. W/ 1 1/4\"/>



○ RUBBER FOOT PAD ATTACH. DETAIL



○ (OPTIONAL) MUD SILL ATTACHMENT

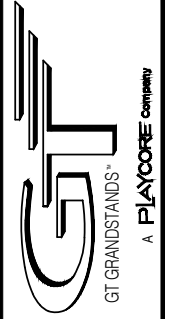


FRAME SECTION
SCALE: NTS

PRE-ASSEMBLE X-BRACE SETS. EACH SET CONSISTS OF A ANGLE AND FLAT BAR. PLACE THE PIECES TOGETHER AT THE FLAT SIDE AND CONNECT USING A 3/8" X 1 1/4 HEX BOLT & FLANGE NUT.



2810 Sydney Road
Plant City, Florida 33566
Phone: 813-305-1415
Fax: 813-305-1419
www.gtgrandstands.com



FRAME AND BRACE
3 ROW BLEACHER
6" RISER/ 12" SEAT

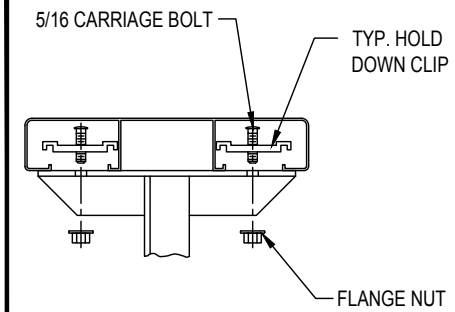
LU-0309AS
OPTIONAL -MS (MILL SILL)
OPTIONAL -RB (RUBBER BUMPER)

DRAWN BY
MME
CHECKED BY
TLC
DATE
11/01/2016
SCALE
AS SHOWN
JOB NO.

LU-0309AS
DWG NO.

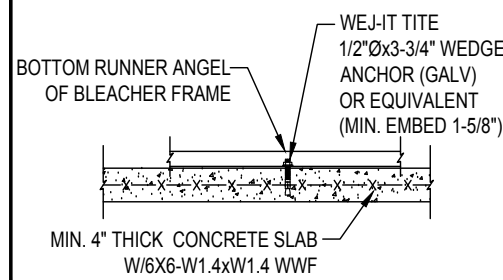
FB.1

① TYP 2x10 PLANK ATTACHMENT



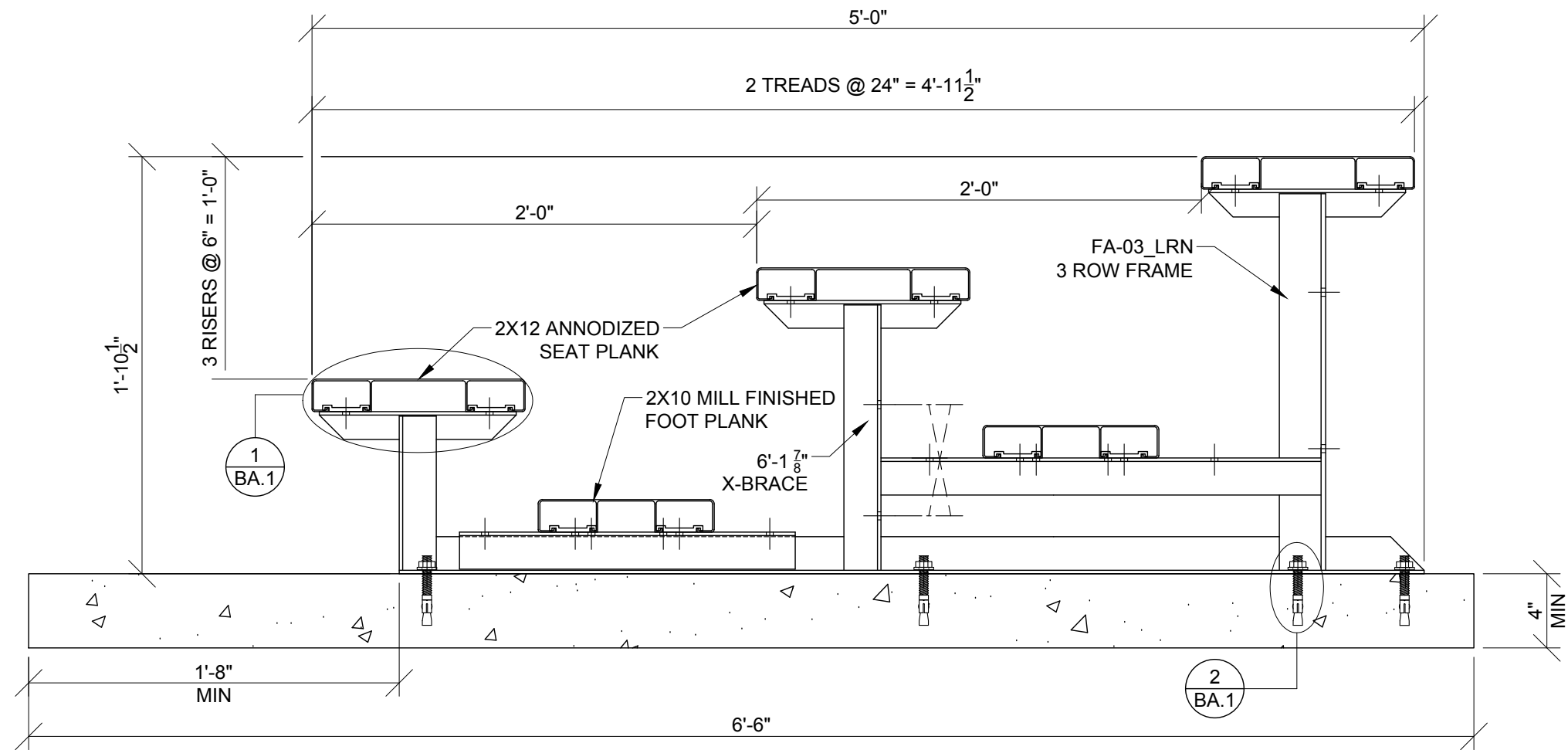
NOT TO SCALE

② OPTIONAL ANCHOR WEDGE DETAIL*



NOT TO SCALE

NOTE: LEAVE FLANGE NUT LOOSE UNTIL CLIPS HAVE BEEN SECURED TO PLANKS.



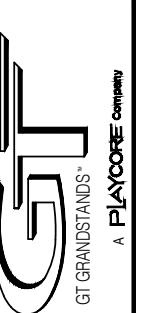
BLEACHER ASSEMBLY

SCALE: 1 1/2" = 1' - 0"

*CONCRETE WEDGE ANCHORS NOT INCLUDED WITH ALL UNITS. IF USING OTHER ANCHORING SYSTEM, SKIP THIS STEP AND REFER TO INSTRUCTIONS SPECIFIC TO THE ANCHORING SYSTEM PURCHASED FOR YOUR UNIT. SEE PRINT FP.1 (INCLUDED IN THIS PACKET) FOR GENERAL CONCRETE FOUNDATION SPECIFICATIONS.



2810 Sydney Road
Plant City, Florida 33566
Phone: 813-305-1415
Fax: 813-305-1419
www.gtgrandstands.com



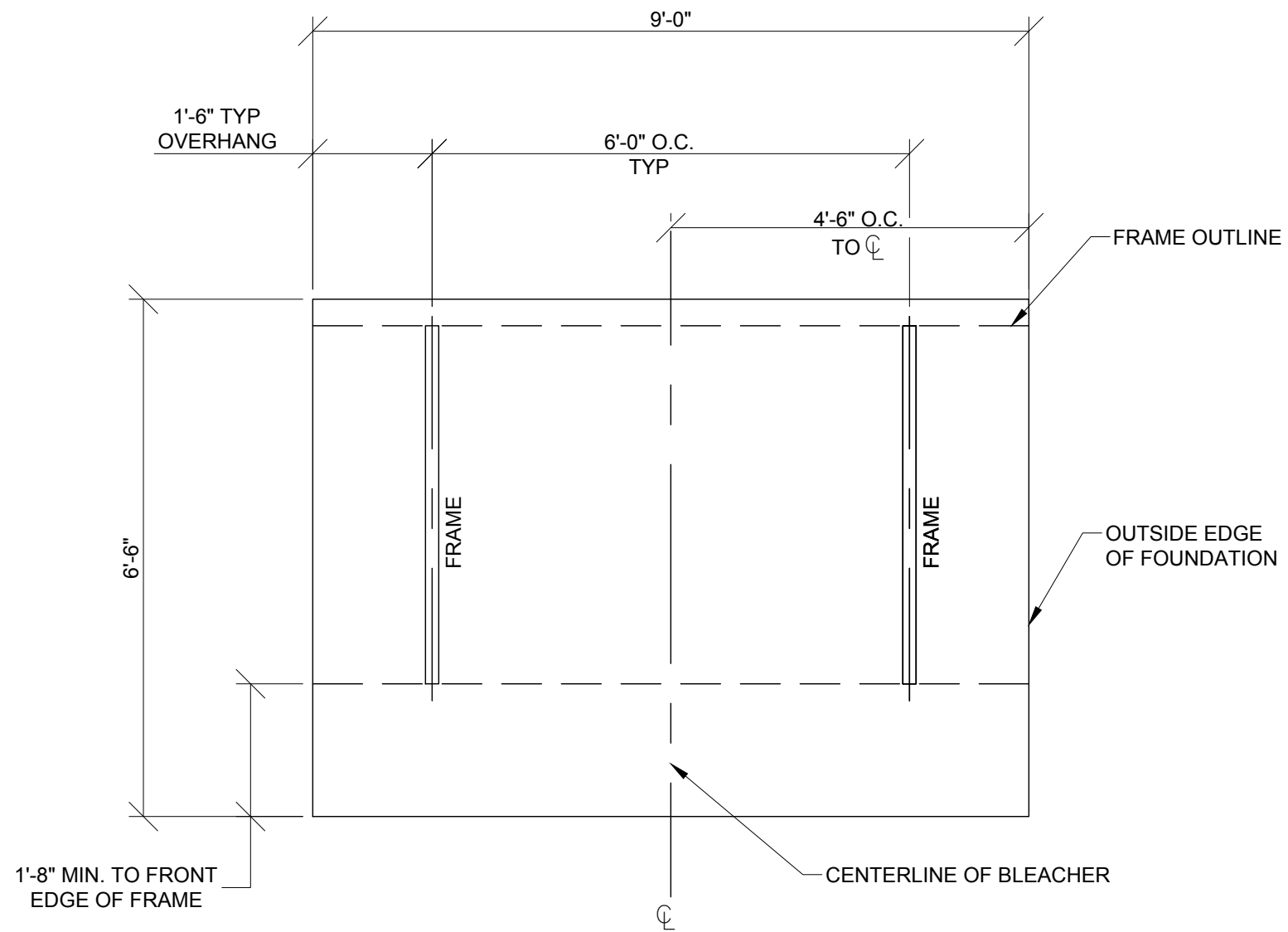
BLEACHER ASSEMBLY
3 ROW BLEACHER
6" RISER/ 12" SEAT

LU-0309AS
(OPTIONAL FOUNDATION PLAN)
LU SERIES

DRAWN BY
MME
CHECKED BY
TLC
DATE
11/01/2016
SCALE
AS SHOWN
JOB NO.

LU-0309AS
DWG NO.

BA.1



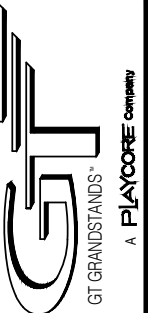
OPTIONAL FOUNDATION PLAN*

SCALE: 1/2" = 1' - 0"

* MINIMUM FOUNDATION AREA SHOWN. DEPENDING ON LOCAL SOIL CONDITIONS, BLEACHER CAN BE INSTALLED ON A CONCRETE PAD OR FOOTERS, OR ATTACHED TO 2x6 TREATED LUMBER GROUND SILLS AND PLACED ON COMPACTED STONE, ASPHALT, OR ANY OTHER SMOOTH, SOLID, LEVEL SURFACE. CONSULT YOUR LOCAL CONCRETE CONTRACTOR TO DETERMINE PROPER CONCRETE SPECIFICATIONS FOR YOUR LOCAL SOIL AND WEATHER-RELATED CONDITIONS. THE BEARING SURFACE MUST BE CAPABLE OF SUPPORTING A MINIMUM OF 660 POUNDS PER LINEAR FOOT. TO MEET LOCAL CODES, BLEACHERS WILL NEED TO BE ANCHORED. ANCHORING SYSTEMS FOR ALL SURFACE TYPES ARE AVAILABLE - CONTACT YOUR BLEACHER SALES REPRESENTATIVE FOR MORE INFORMATION.



2810 Sydney Road
Plant City, Florida 33566
Phone: 813-305-1415
Fax: 813-305-1419
www.gtgrandstands.com



FOUNDATION PLAN
3 ROW BLEACHER
6" RISER/ 12" SEAT

LU-0309AS
LU SERIES

DRAWN BY
MME
CHECKED BY
TLC
DATE
11/01/2016
SCALE

JOB NO.

LU-0309AS

DWG NO.

FP.1